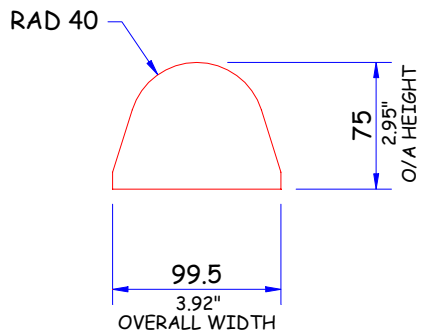
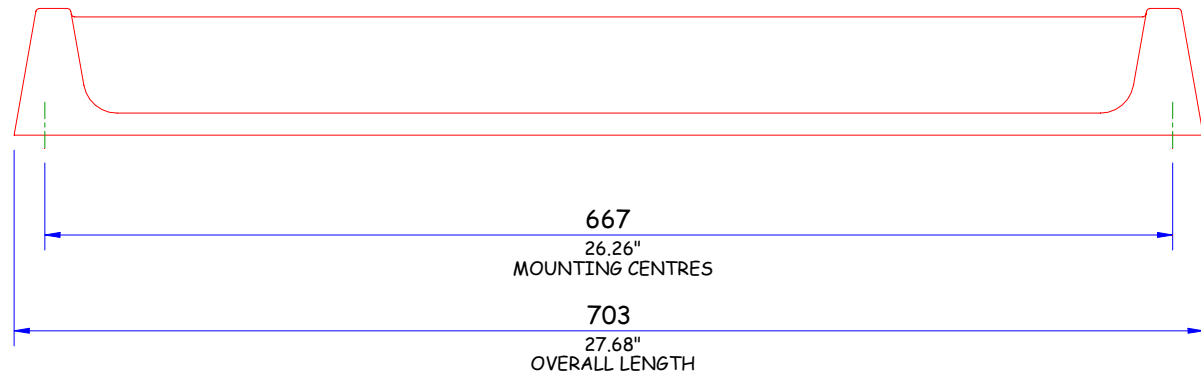


TOP VIEW



PLAN VIEW



SIDE VIEW

PRODUCT: DOOR DETECTIVE - EXTERIOR

TITLE: GENERAL DIMENSIONS

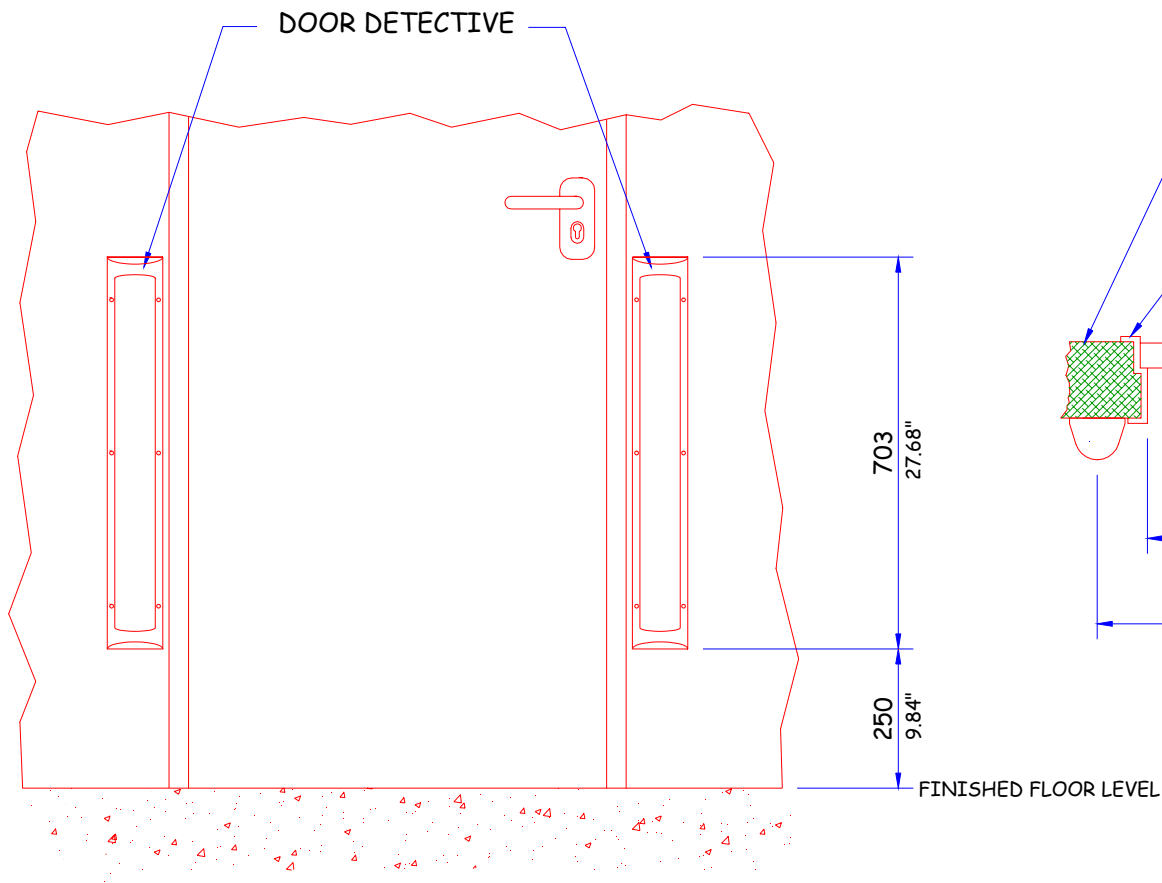
DRAWN: RST

DRAWING No: S665\_140\_A0

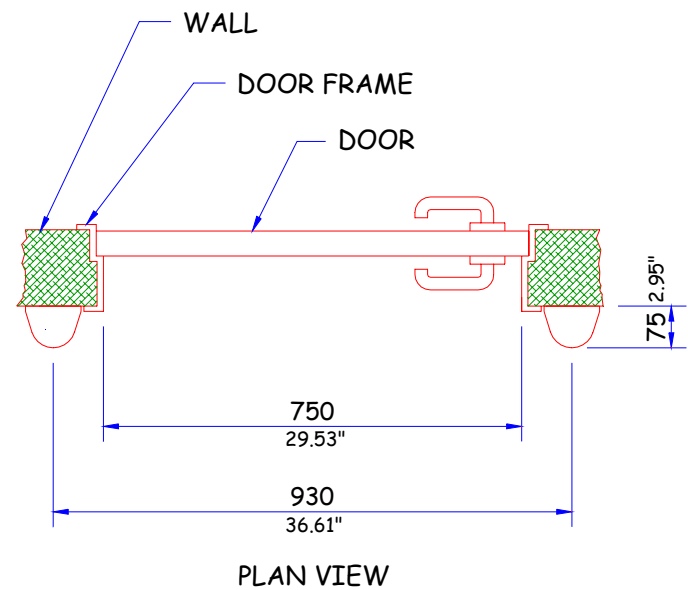
DATE: 12.9.03

This document is the copyright of  
Integrated Design Ltd

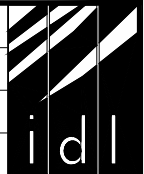


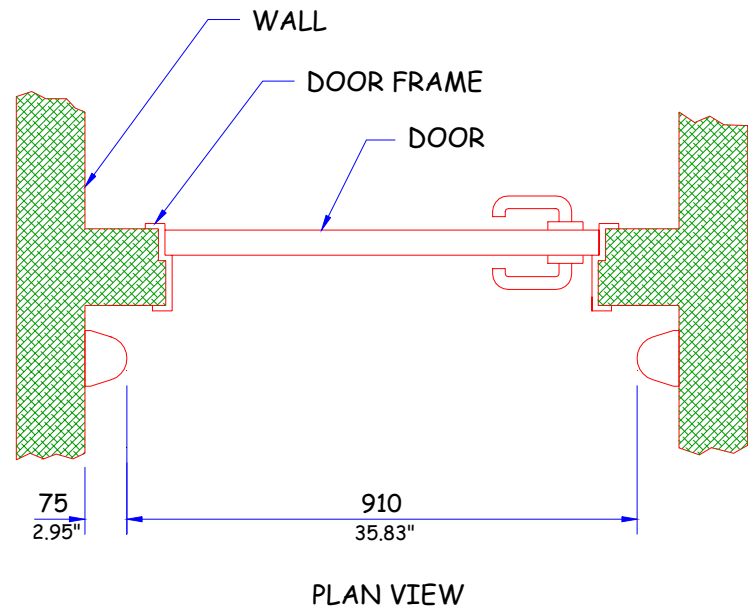
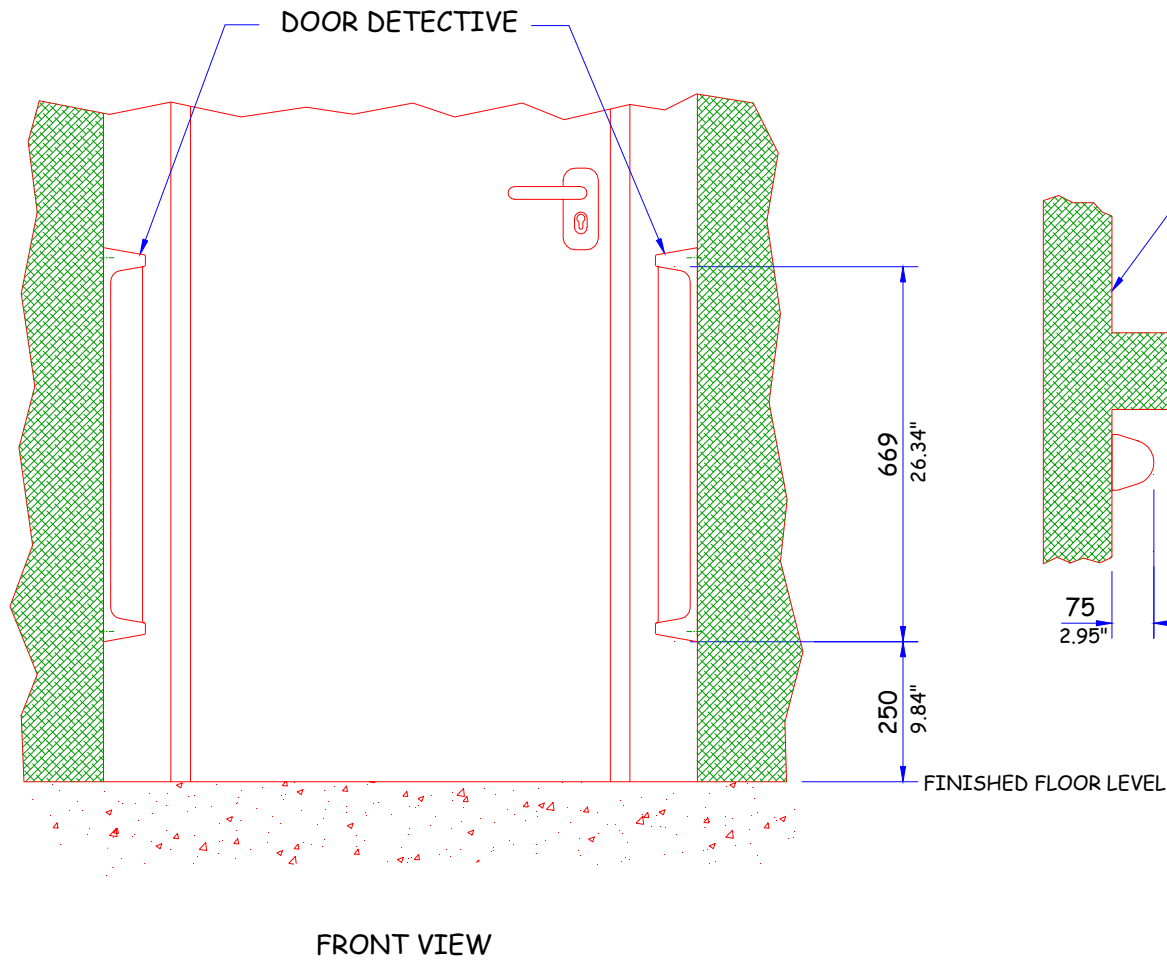


FRONT VIEW

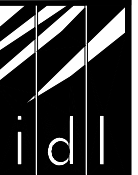


PRODUCT: DOOR DETECTIVE - EXTERIOR	
TITLE: GENERAL LAYOUT - DOOR MOUNTED	
DRAWN: RST	DRAWING No: S665_141_A0
DATE: 12.9.03	This document is the copyright of Integrated Design Ltd

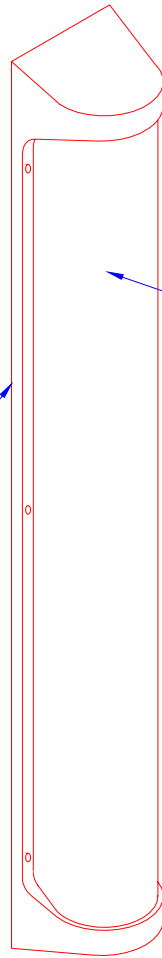




PRODUCT: DOOR DETECTIVE	
TITLE: GENERAL LAYOUT - WALL MOUNTED	
DRAWN: RST	DRAWING No: S665_142_A0
DATE: 12.9.03	This document is the copyright of Integrated Design Ltd



REAR MOUNTING BRACKET -  
BLACK ANODIZED ALUMINIUM



OUTER COWLING - PERSPEX 962

PRODUCT: DOOR DETECTIVE - EXTERIOR

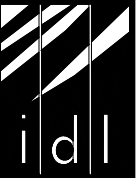
TITLE: MATERIAL SPECIFICATIONS

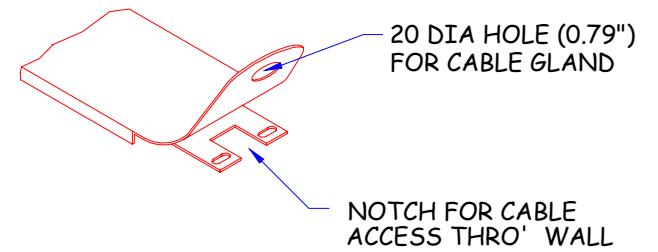
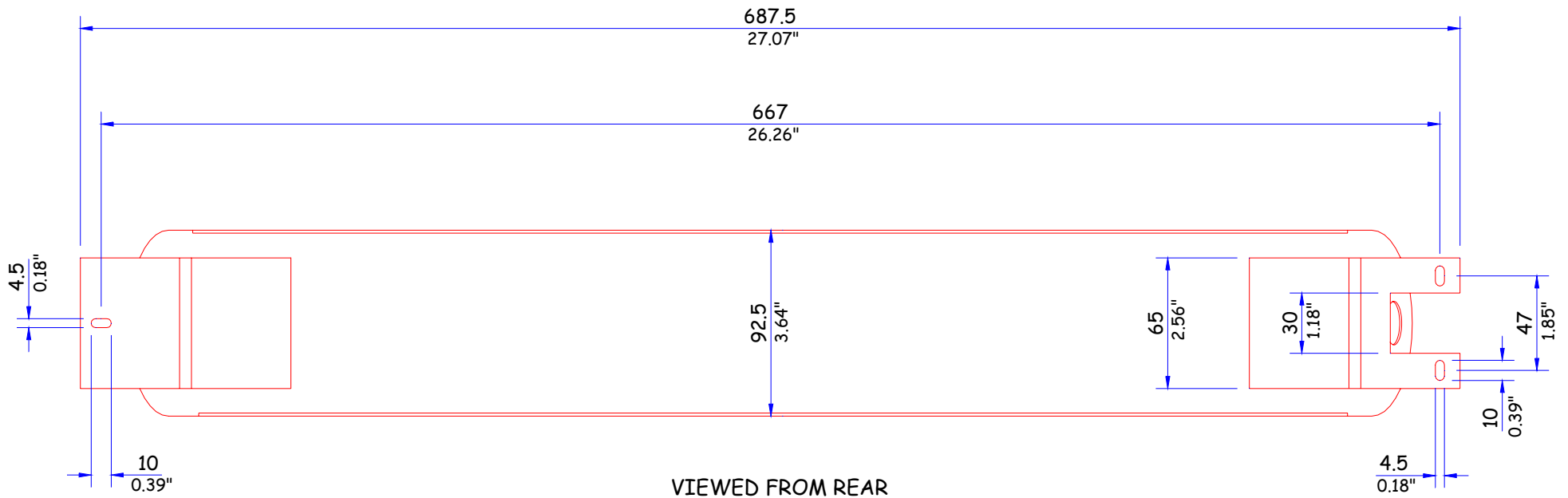
DRAWN: RST

DRAWING No: S665\_143\_A0

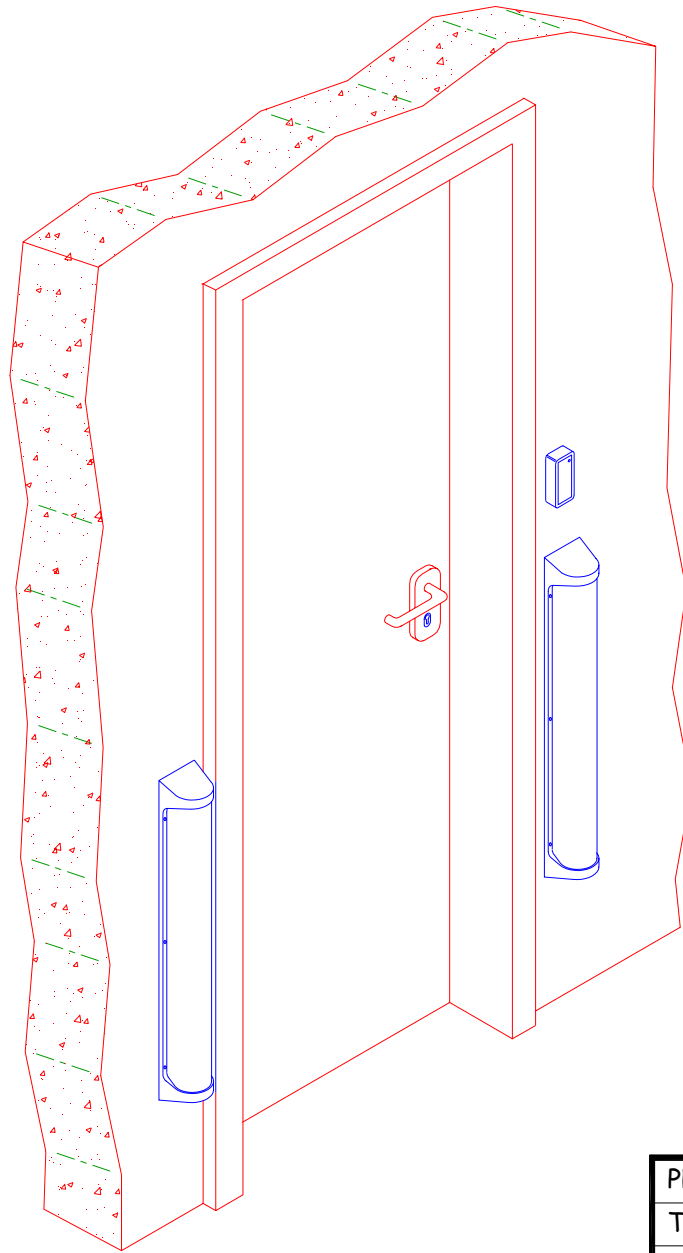
DATE: 12.9.03

This document is the copyright of  
Integrated Design Ltd





PRODUCT: DOOR DETECTIVE - EXTERIOR		
TITLE: MOUNTING DIMENSIONS		
DRAWN: RST	DRAWING No: S665_144_A0	
DATE: 12.9.03	This document is the copyright of Integrated Design Ltd	



PRODUCT: DOOR DETECTIVE - EXTERIOR	
TITLE: TYPICAL INSTALLATION	
DRAWN: RST	DRAWING No: S665_145_A0
DATE: 12.9.03	This document is the copyright of Integrated Design Ltd

