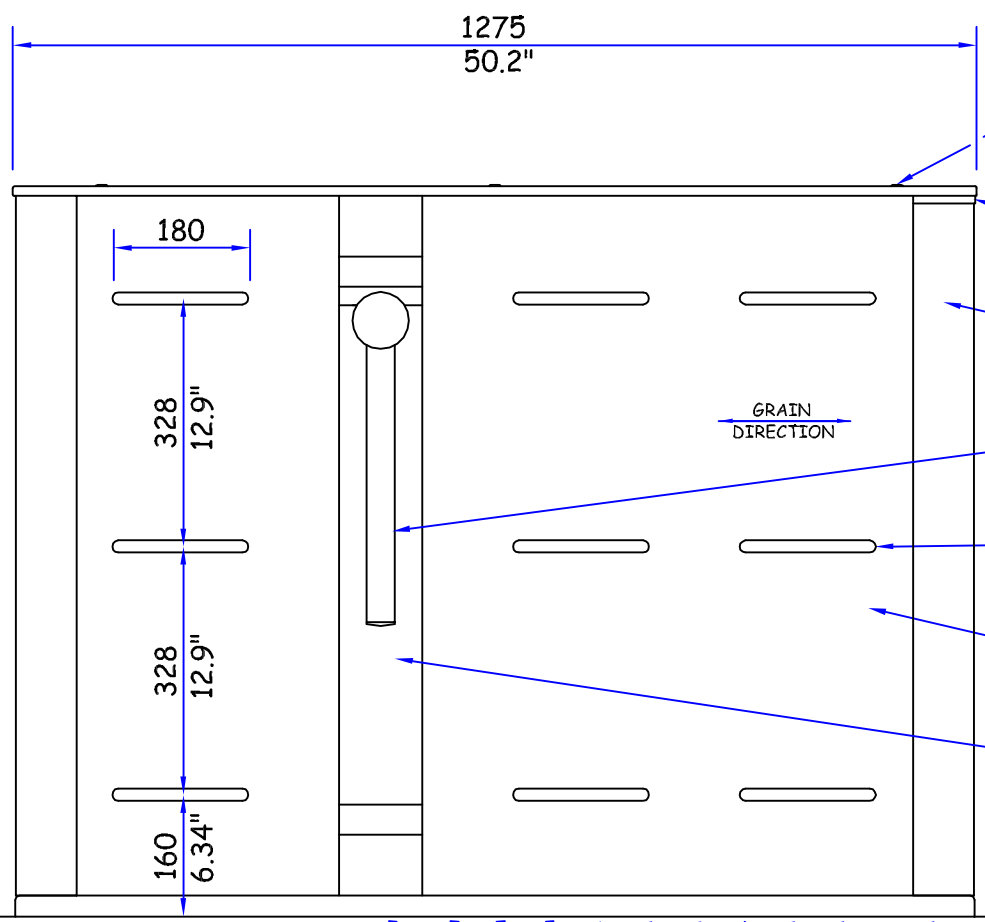


TOP VIEW

GLASS TOP MOUNTING BUTTON - BRUSHED STAINLESS STEEL



SIDE VIEW

DECORATIVE TOP - LOW IRON TOUGHENED GLASS, WHITE CERAMIC PAINTED UNDERSIDE - CONFORMS TO EN12150 & EN12600

LANE STATUS INDICATOR - CLEAR FROSTED ACRYLIC

STAINLESS STEEL END - 240 GRIT - HORIZONTAL GRAIN

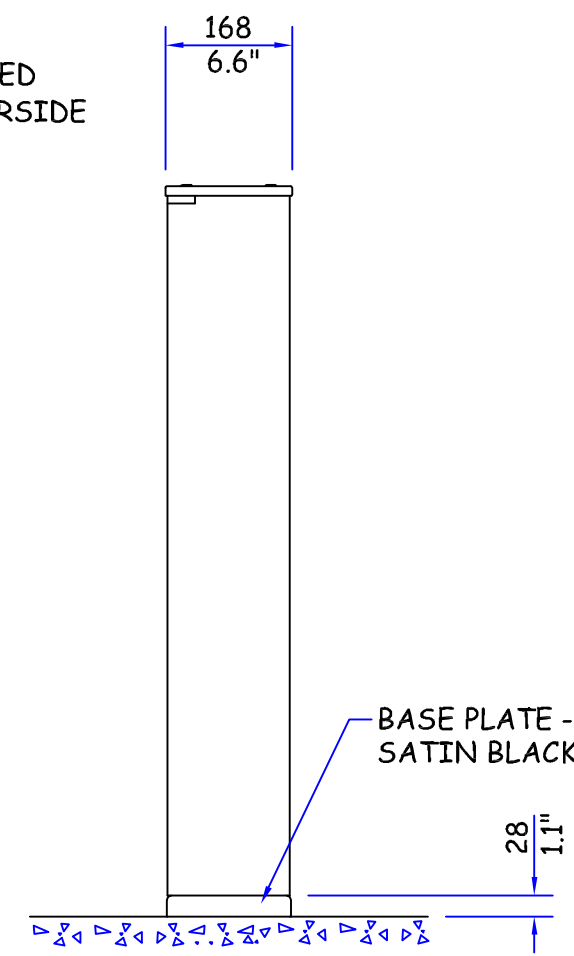
BREAKAWAY ARM - BRUSHED ALUMINIUM

INFRA-RED WINDOW - GLOSS BLACK ACRYLIC

STAINLESS STEEL SIDE PANEL 240 GRIT - HORIZONTAL GRAIN

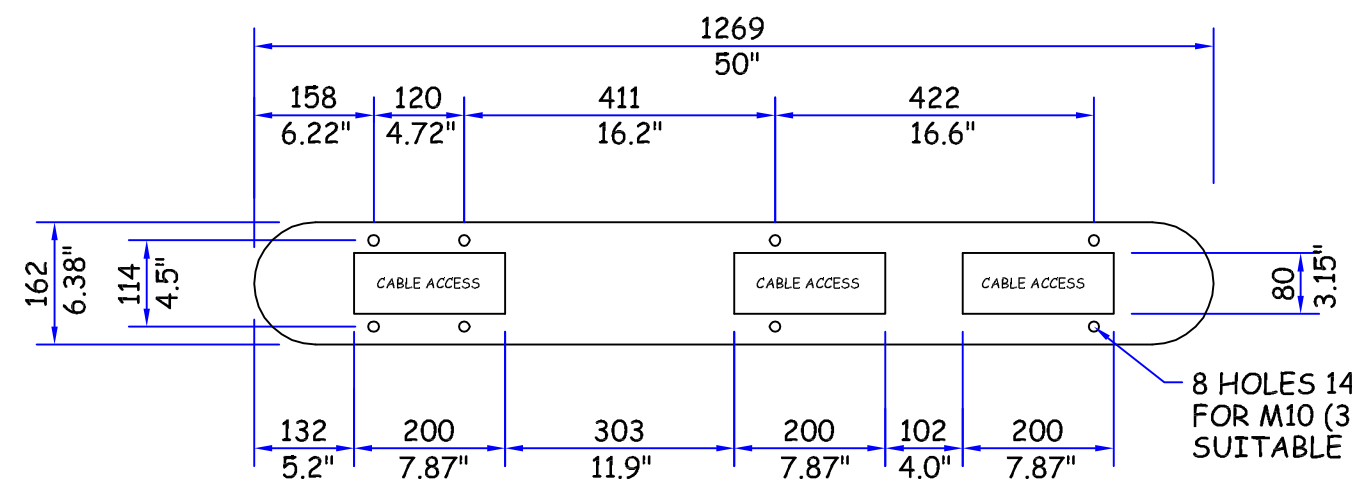
ARM RECESS - GLOSS BLACK ACRYLIC

FINISHED FLOOR LEVEL



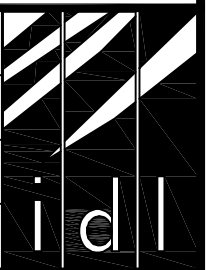
END VIEW

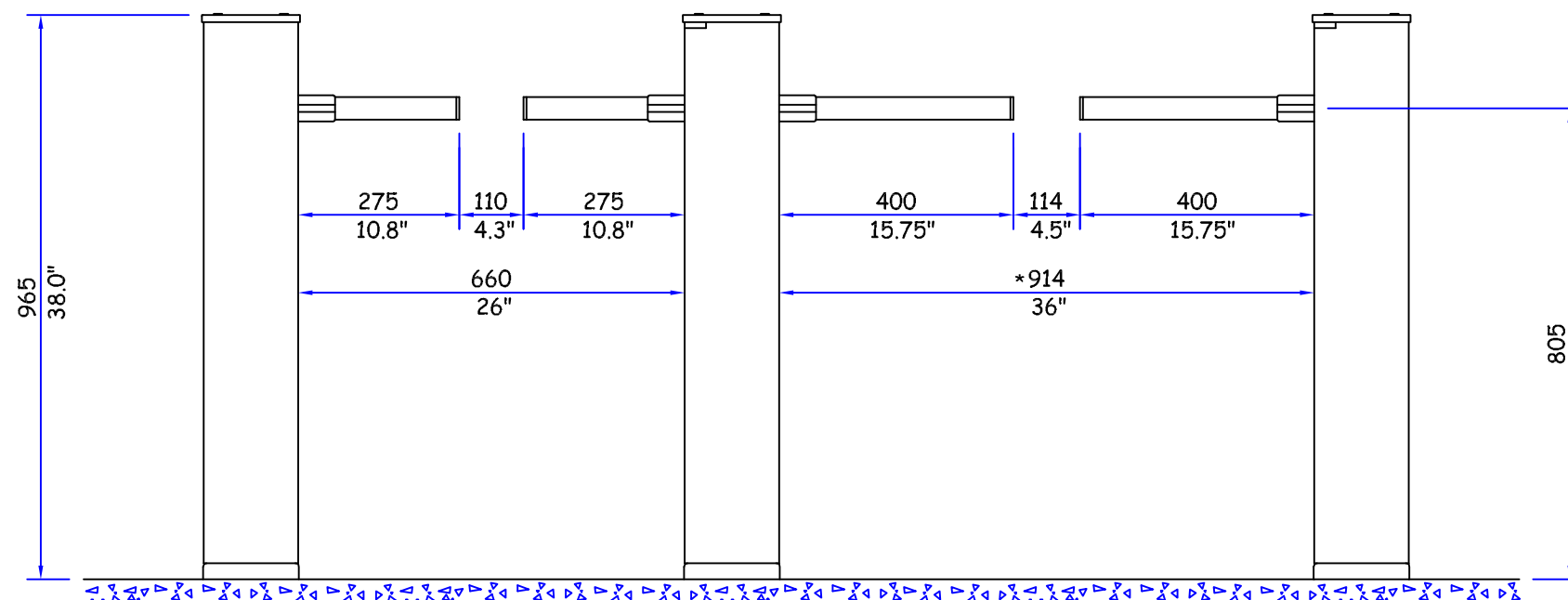
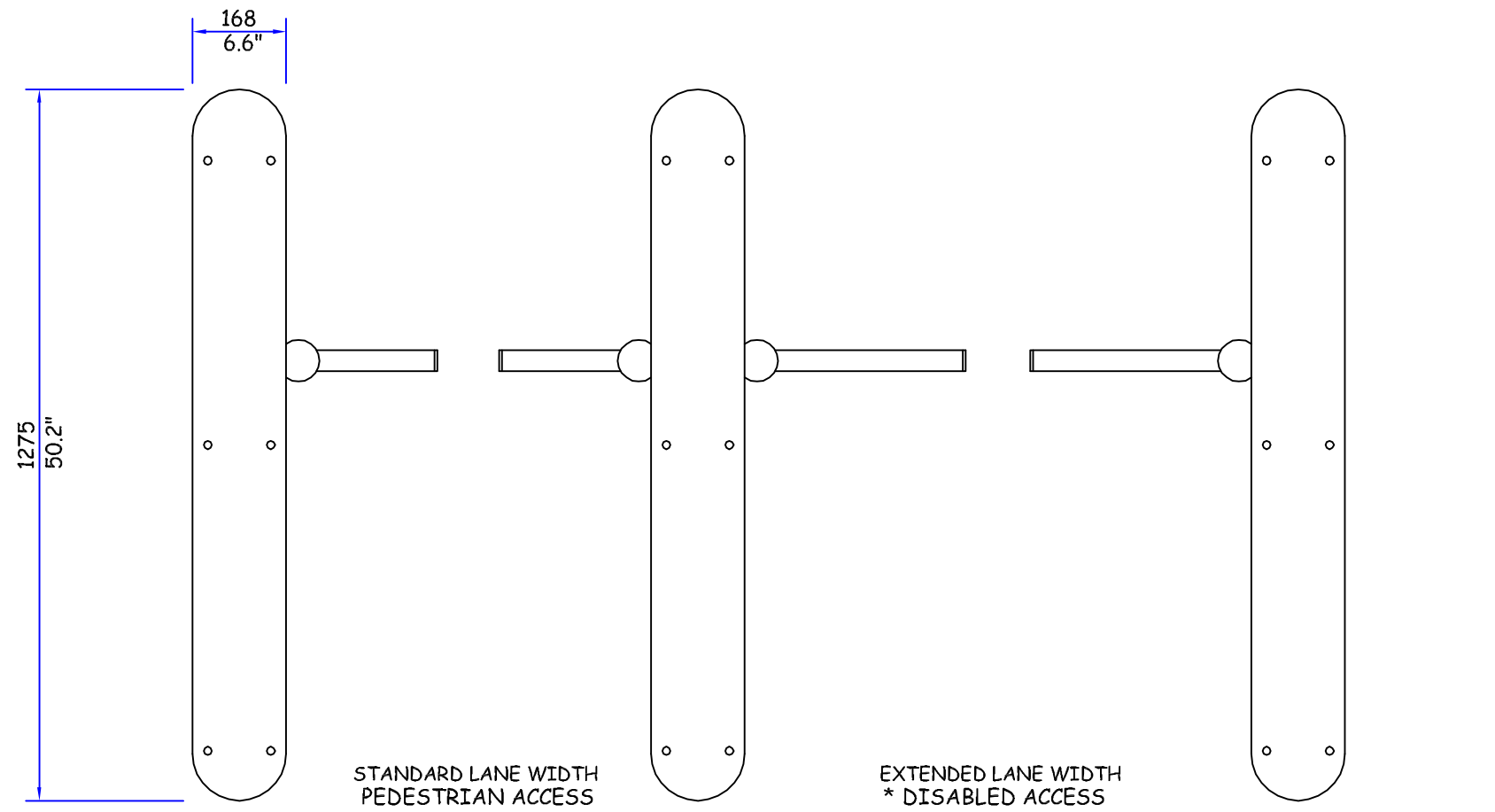
BASE PLATE - SATIN BLACK MILD STEEL



8 HOLES 14 DIA (0.55") FOR M10 (3/8") FIXINGS SUITABLE FOR FLOOR

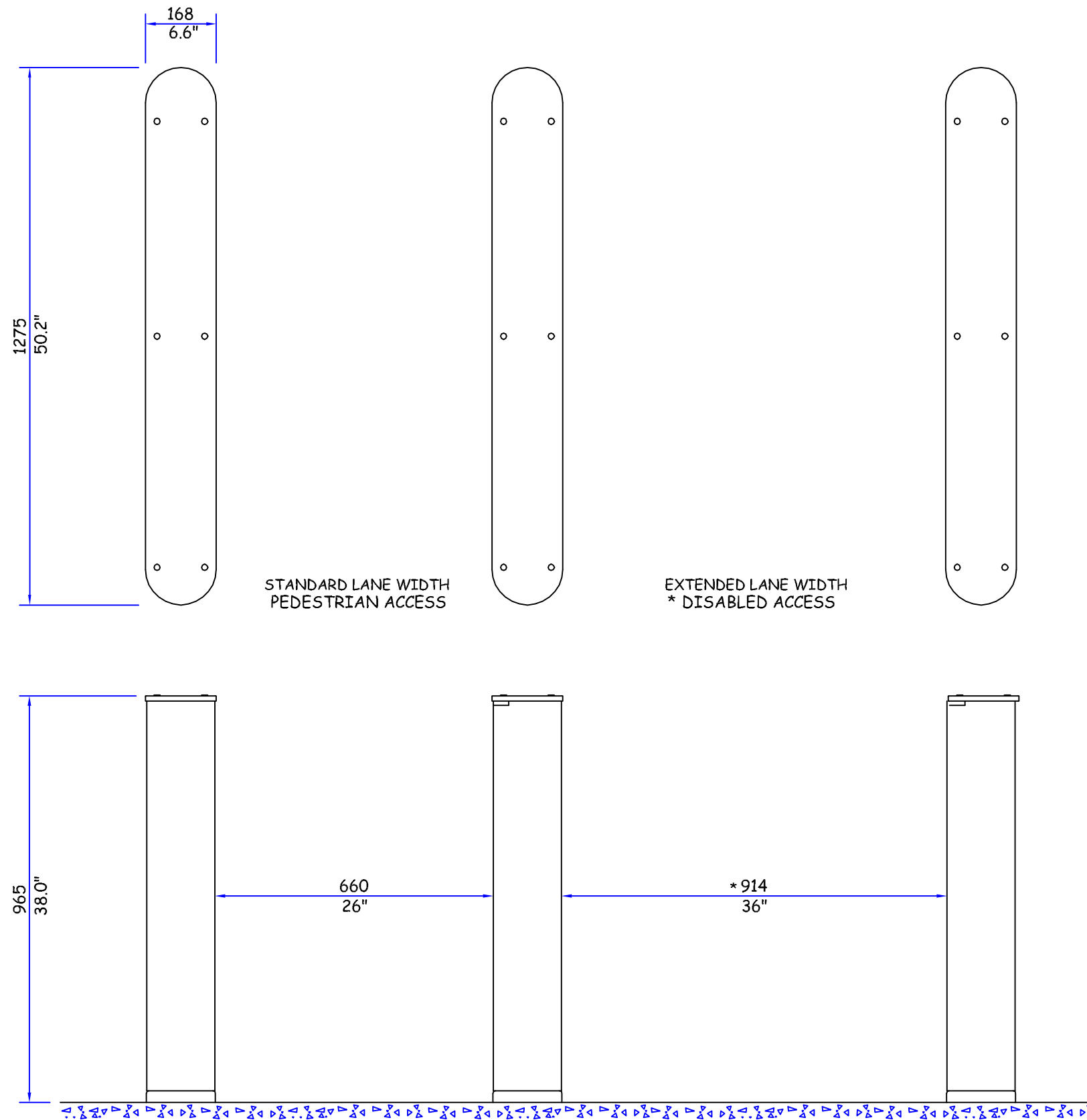
PRODUCT: FASTLANE PLUS R400 AS	
TITLE: GENERAL DIMENSIONS	
DRAWN: RST	DRAWING No: S665_510_A1
DATE: 11.4.08	This document is the copyright of Integrated Design Ltd





* SUBJECT TO LOCAL LEGISLATION

PRODUCT: FASTLANE PLUS R400 AS		
TITLE: GENERAL LAYOUT - NORMALLY CLOSED		
DRAWN: DSC	DRAWING No: S665_511_A2	
DATE: 11.04.08	This document is the copyright of Integrated Design Ltd	



* SUBJECT TO LOCAL LEGISLATION

PRODUCT: FASTLANE PLUS R400 AS	
TITLE: GENERAL LAYOUT - NORMALLY OPEN	
DRAWN: DSC	DRAWING No: S665_512_A2
DATE: 11.04.08	This document is the copyright of Integrated Design Ltd



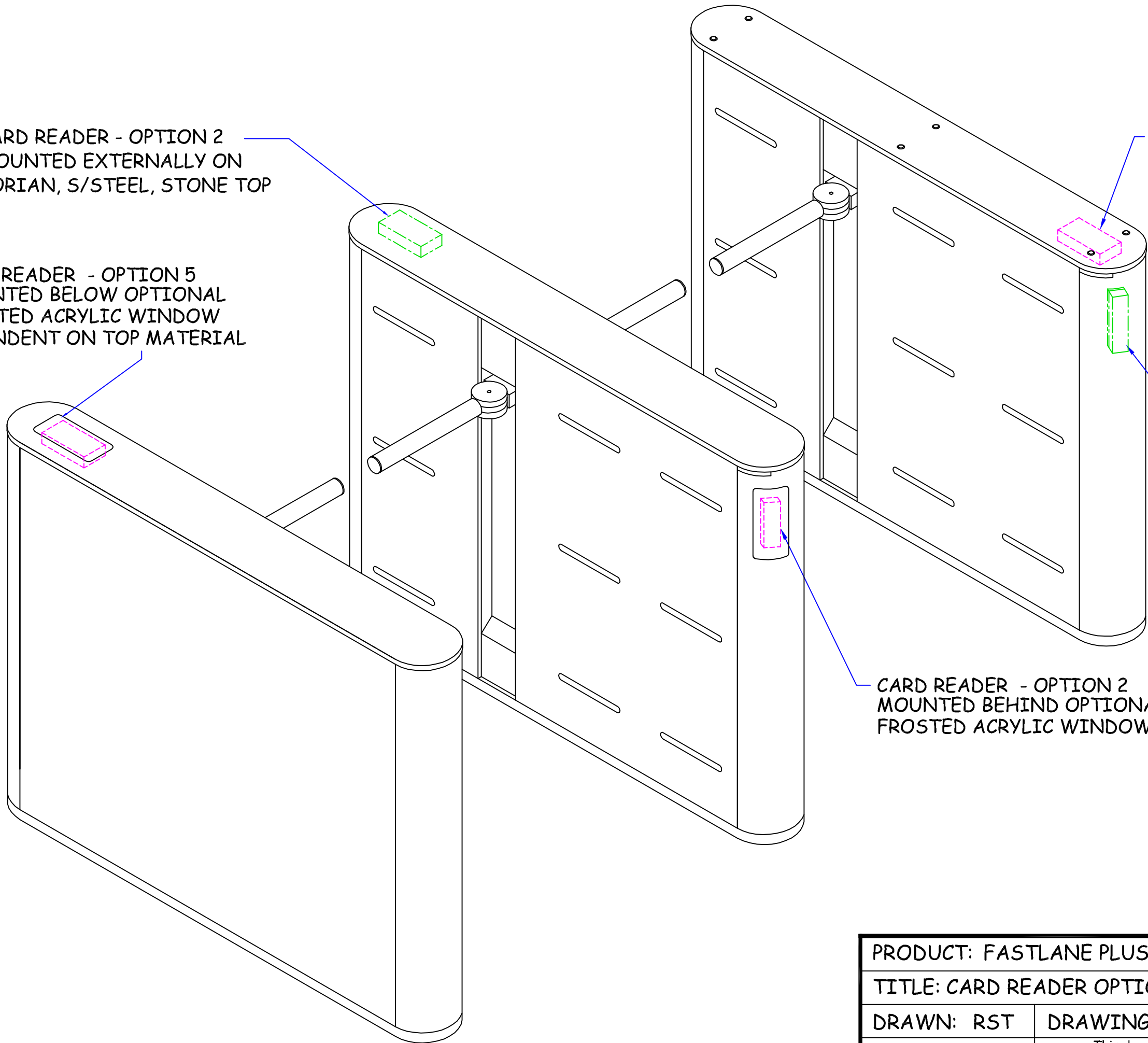
CARD READER - OPTION 2
MOUNTED EXTERNALLY ON
CORIAN, S/STEEL, STONE TOP

CARD READER - OPTION 5
MOUNTED BELOW OPTIONAL
FROSTED ACRYLIC WINDOW
DEPENDENT ON TOP MATERIAL

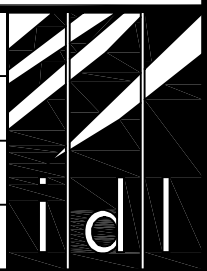
CARD READER - OPTION 1
MOUNTED BELOW GLASS TOP
AVAILABLE AREA 250 x 120 x 78
(10" x 4.75" x 3" APPROX.)

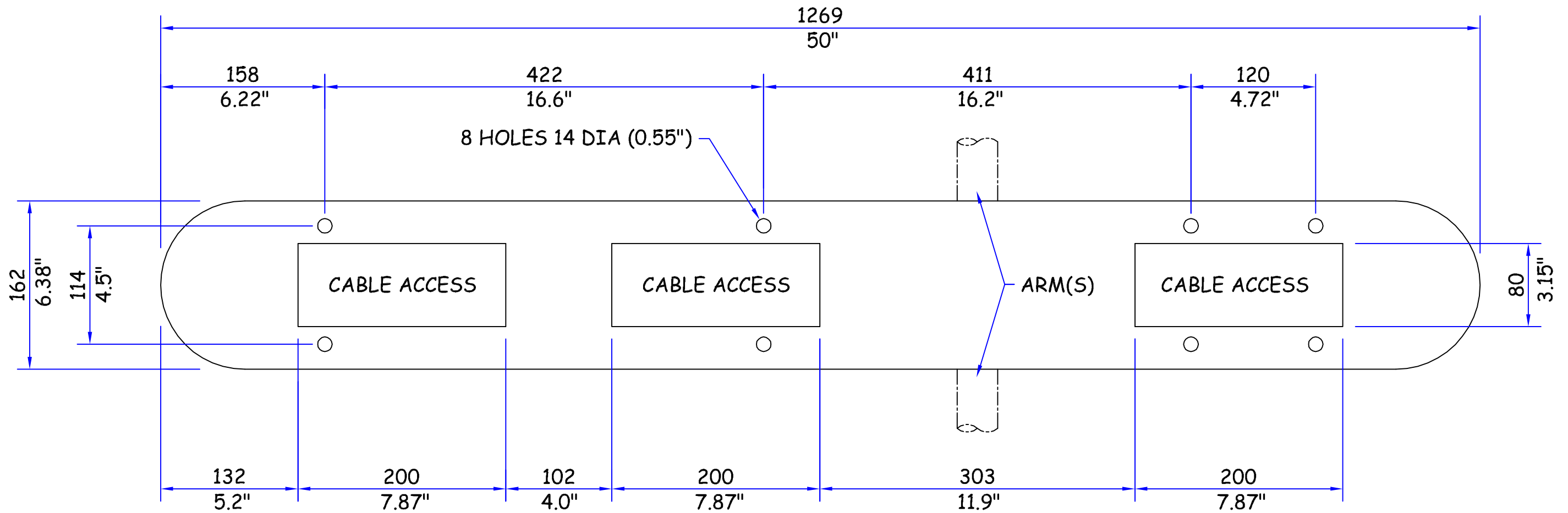
CARD READER - OPTION 3
MOUNTED EXTERNALLY
ON NYLON BLOCK

CARD READER - OPTION 2
MOUNTED BEHIND OPTIONAL
FROSTED ACRYLIC WINDOW

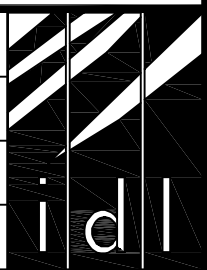


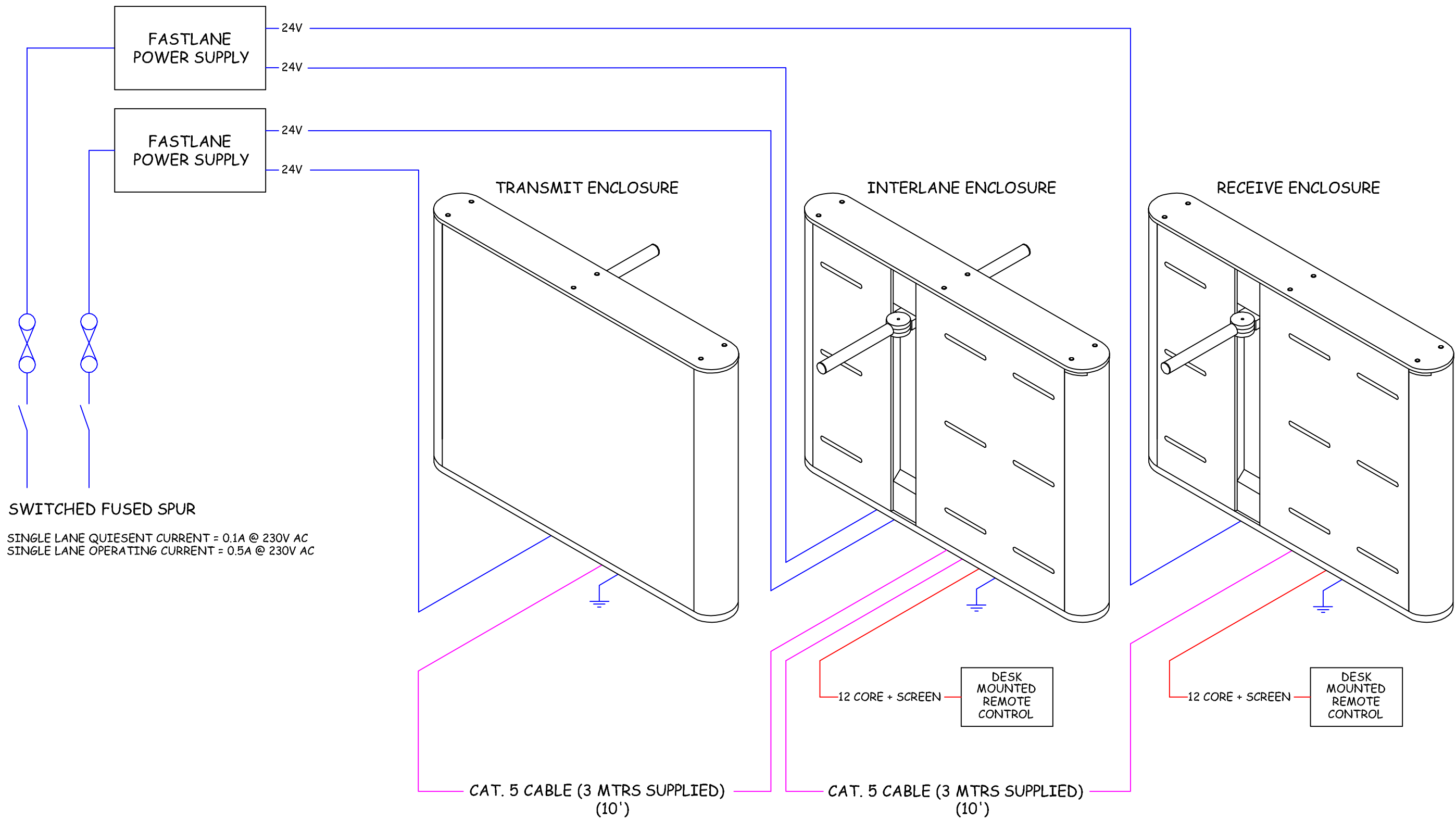
PRODUCT: FASTLANE PLUS R400 AS	
TITLE: CARD READER OPTIONS	
DRAWN: RST	DRAWING No: S665_513_A1
DATE: 17.7.08	This document is the copyright of Integrated Design Ltd






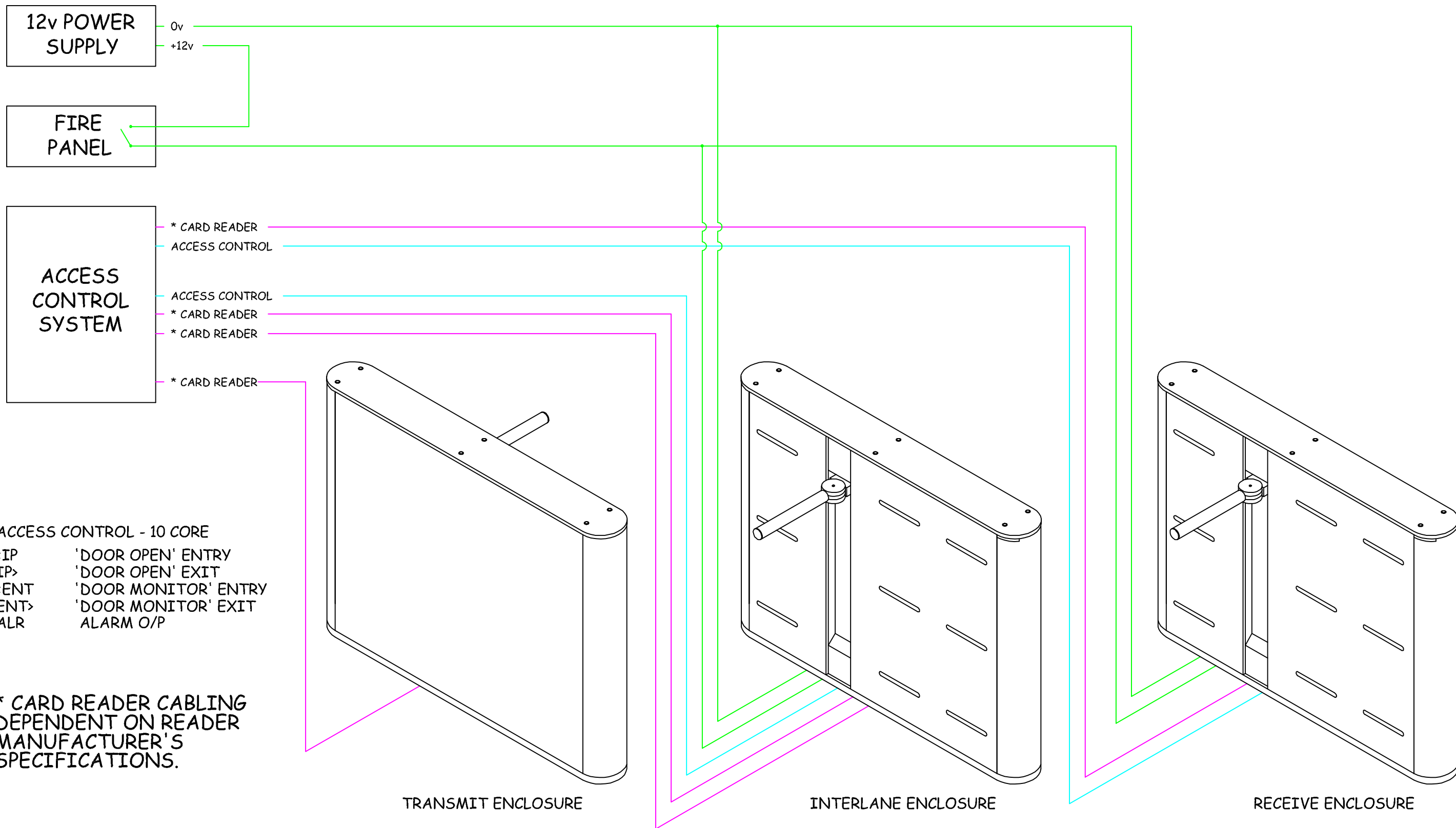
NOTE: UNIT IS TO BE SECURED TO THE FLOOR USING 10mm (3/8") DIA FIXINGS SUITABLE FOR THE FLOOR STRUCTURE.

PRODUCT: FASTLANE PLUS R400 AS		
TITLE: BASEPLATE DRILLING DETAILS		
DRAWN: RST	DRAWING No: S665_515_A0	
DATE: 17.7.08	This document is the copyright of Integrated Design Ltd	




THIS DRAWING SHOWS THE FASTLANE PLUS CABLING REQUIREMENTS. IT IS TO BE READ IN CONJUNCTION WITH DRAWING 665_518_A0, WHICH SHOWS THE CABLING REQUIREMENTS FOR THE ACCESS CONTROL INTEGRATION. FOR FURTHER INFORMATION, REFER TO THE INSTALLATION MANUAL.

PRODUCT: FASTLANE PLUS R400 AS		
TITLE: CABLING REQUIREMENTS		
DRAWN: RST	DRAWING No: S665_517_A0	
DATE: 17.7.08	This document is the copyright of Integrated Design Ltd	



THIS DRAWING SHOWS THE ACCESS CONTROL INTEGRATION REQUIREMENTS. IT IS TO BE READ IN CONJUNCTION WITH DRAWING 665_517_A0 WHICH SHOWS THE FASTLANE PLUS CABLING REQUIREMENTS.

FOR FURTHER INFORMATION, REFER TO THE INSTALLATION MANUAL.

PRODUCT: FASTLANE PLUS R400 AS		
TITLE: CABLING REQUIREMENTS		
DRAWN: RST	DRAWING No: S665_518_A0	
DATE: 17.7.08	This document is the copyright of Integrated Design Ltd	