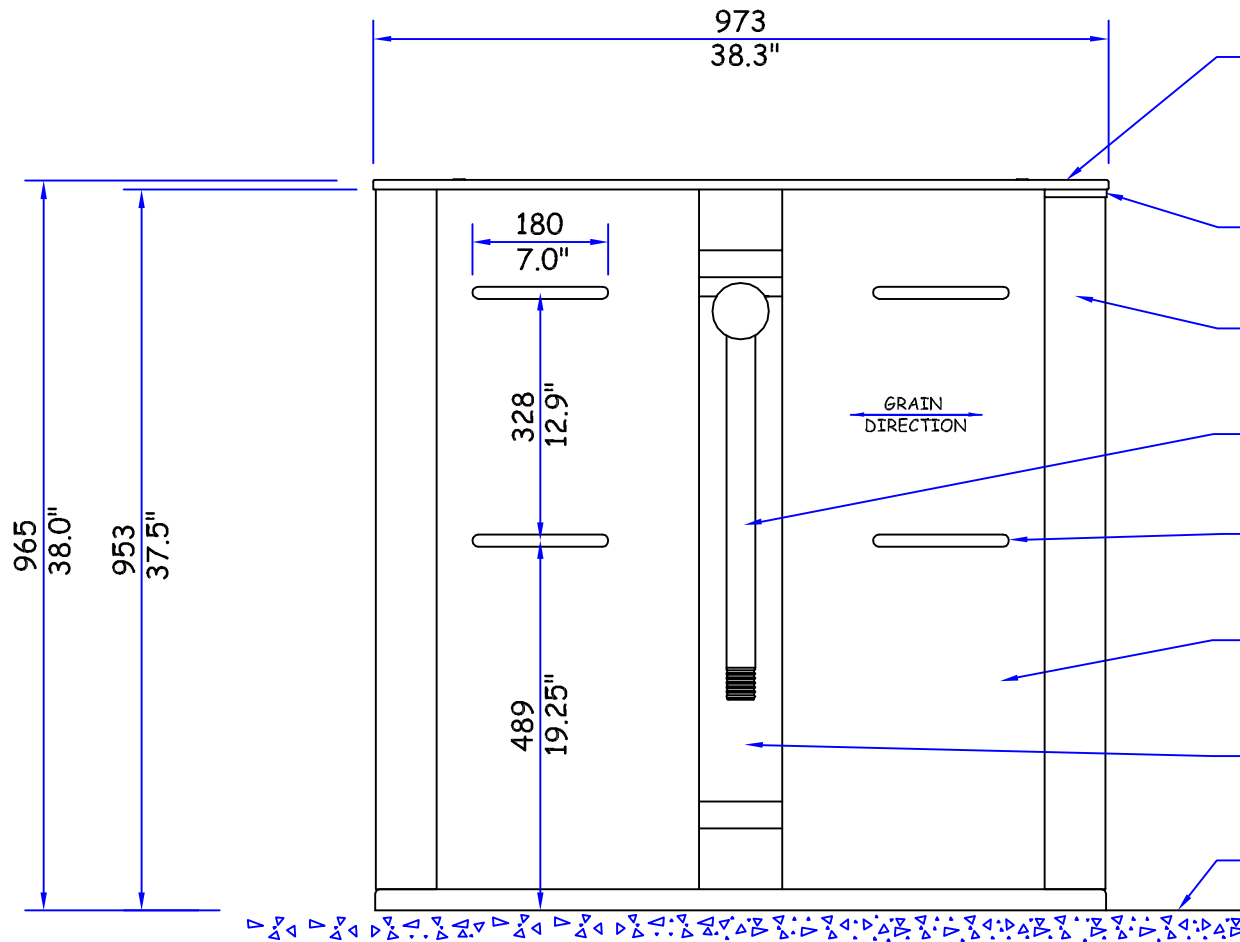


TOP VIEW

STAINLESS STEEL MOUNTING BUTTON



SIDE VIEW

DECORATIVE TOP - WHITE TOUGHENED GLASS - CONFORMS TO EN12150 & EN12600

LANE STATUS INDICATOR - CLEAR FROSTED ACRYLIC

STAINLESS STEEL END - 240 GRIT - HORIZONTAL GRAIN

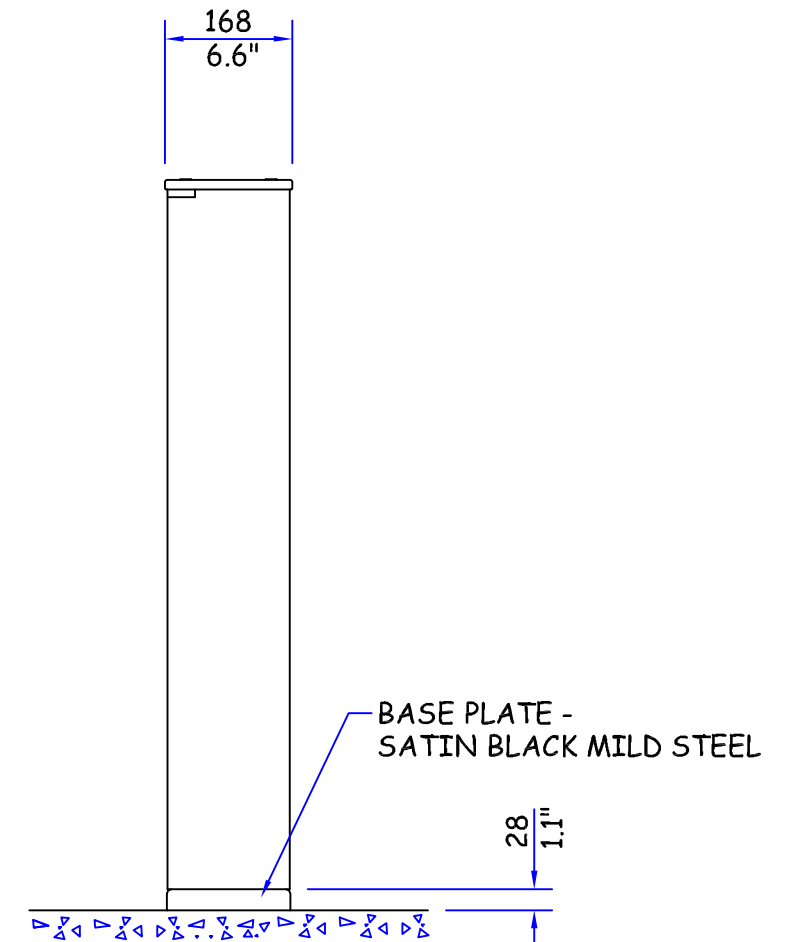
BREAKAWAY BARRIER ARM - BRUSHED ALUMINIUM

INFRA-RED WINDOW - GLOSS BLACK ACRYLIC

STAINLESS STEEL SIDE PANEL 240 GRIT - HORIZONTAL GRAIN

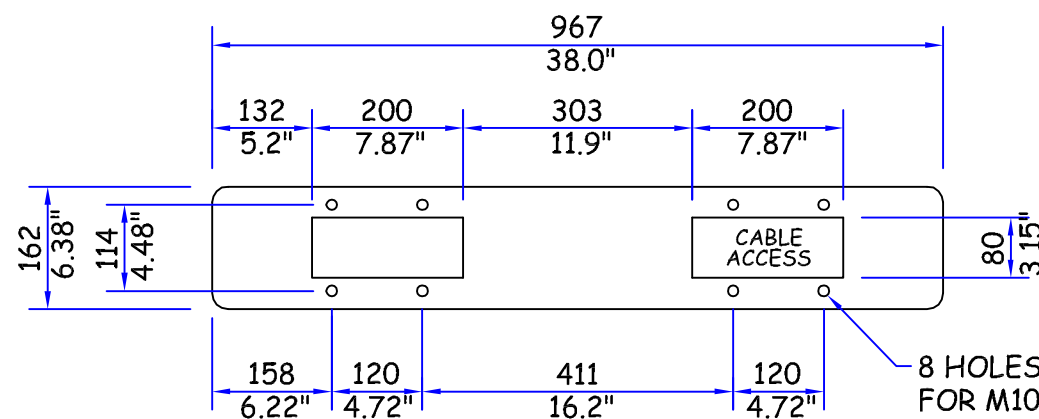
ARM RECESS - GLOSS BLACK ACRYLIC

FINISHED FLOOR LEVEL



END VIEW

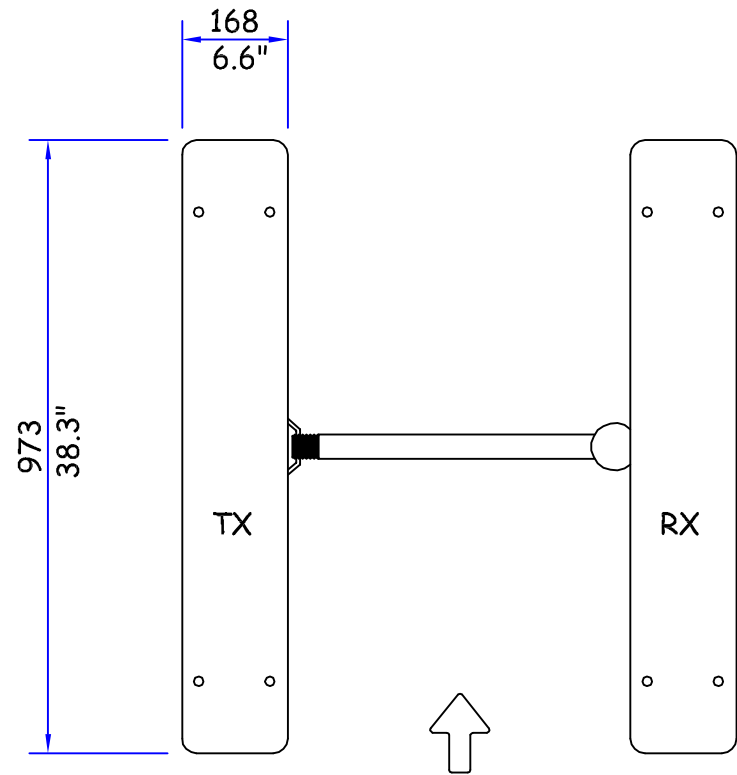
BASE PLATE - SATIN BLACK MILD STEEL



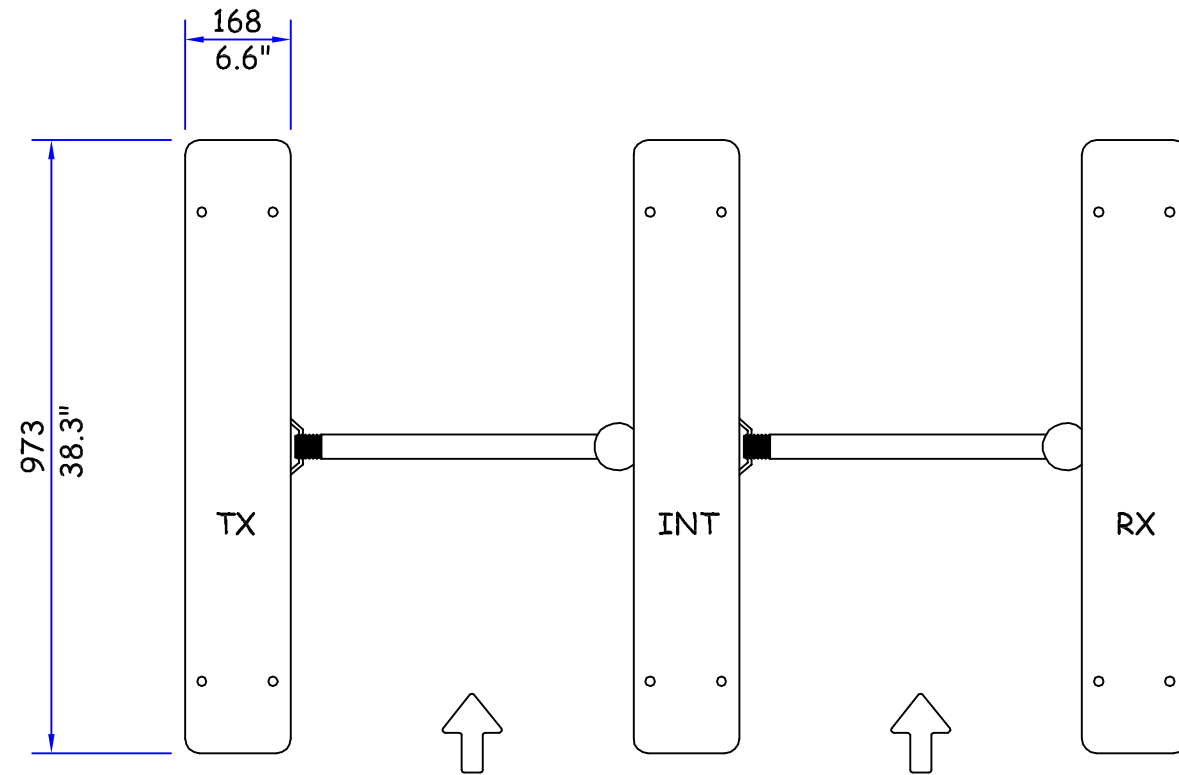
BASEPLATE VIEW

8 HOLES 14 DIA (0.55") FOR M10 (3/8") FIXINGS SUITABLE FOR FLOOR

PRODUCT: FASTLANE PLUS S30		
TITLE: GENERAL DIMENSIONS		
DRAWN: RST	DRAWING No: S665_430_A2	
DATE: 29.2.08	This document is the copyright of Integrated Design Ltd	

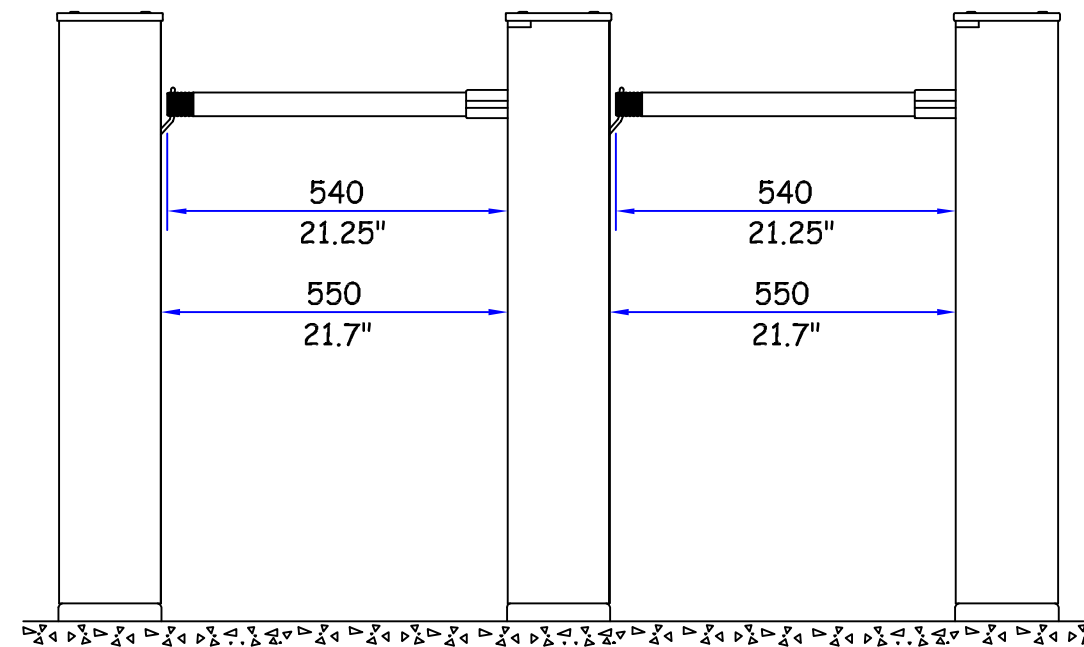
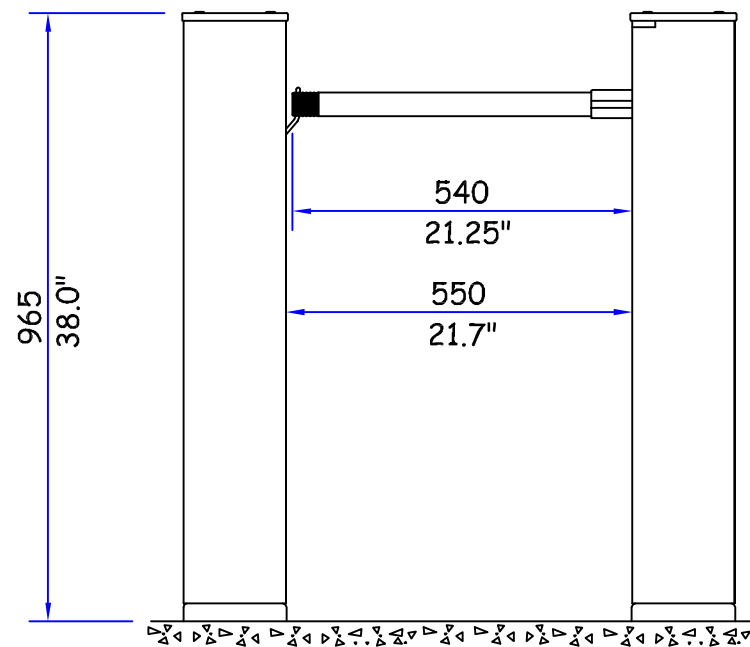


STANDARD LANE WIDTH
PEDESTRIAN ACCESS

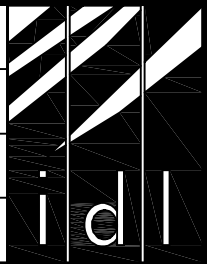


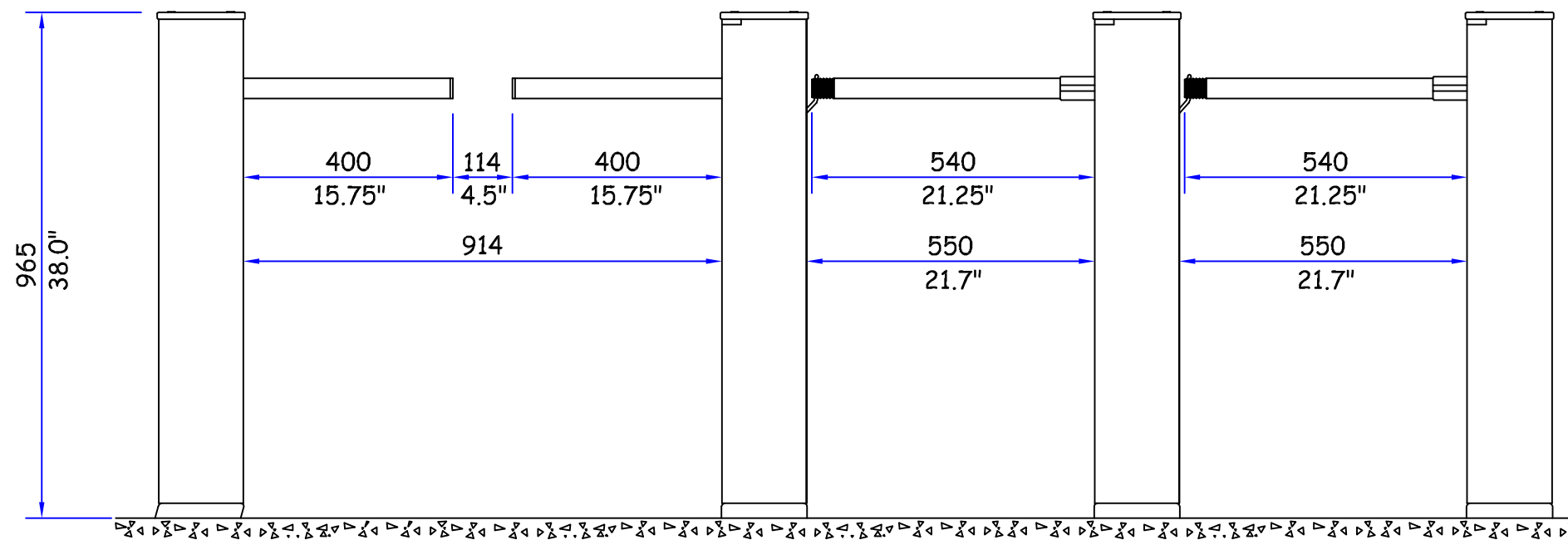
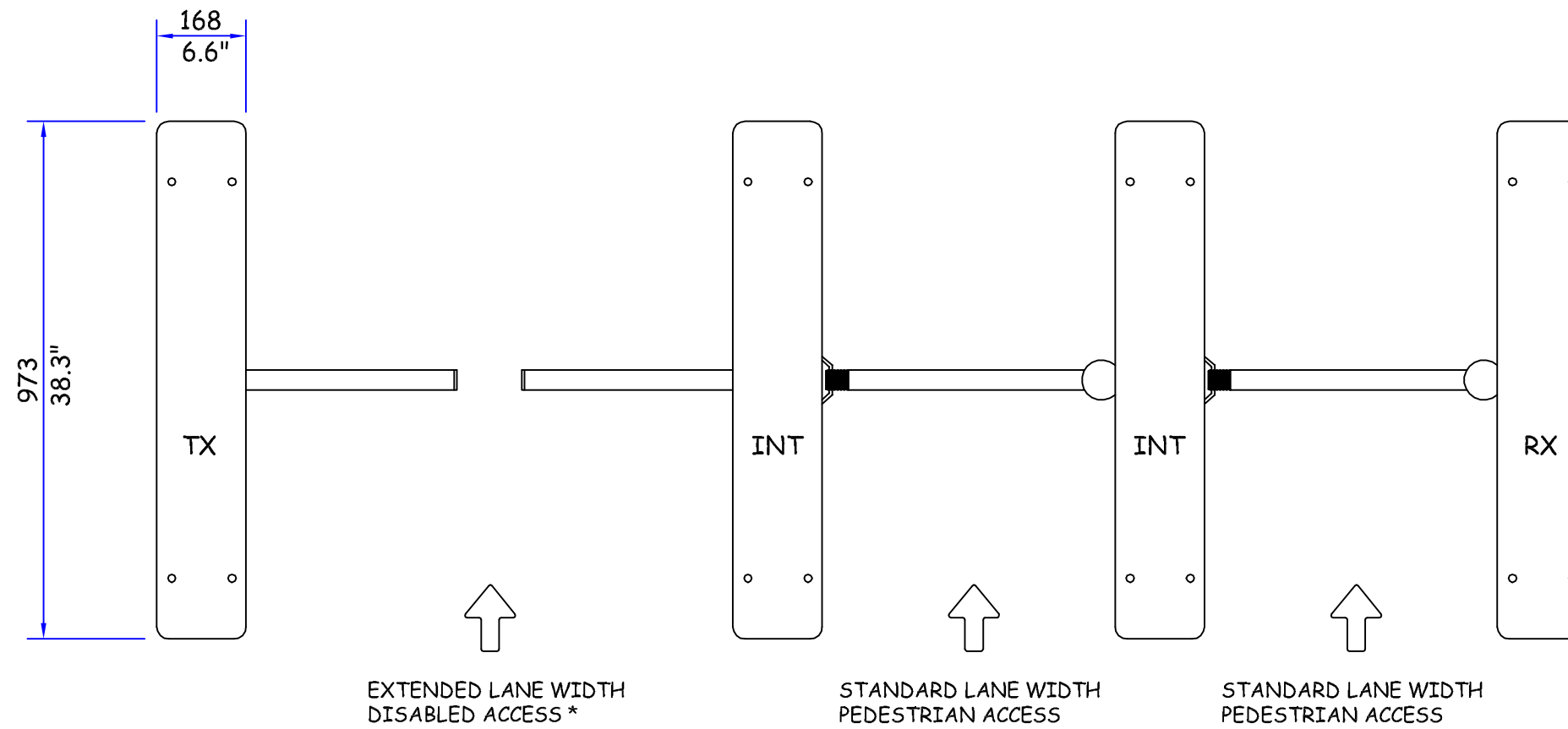
STANDARD LANE WIDTH
PEDESTRIAN ACCESS

STANDARD LANE WIDTH
PEDESTRIAN ACCESS

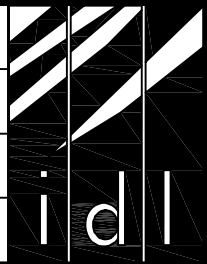


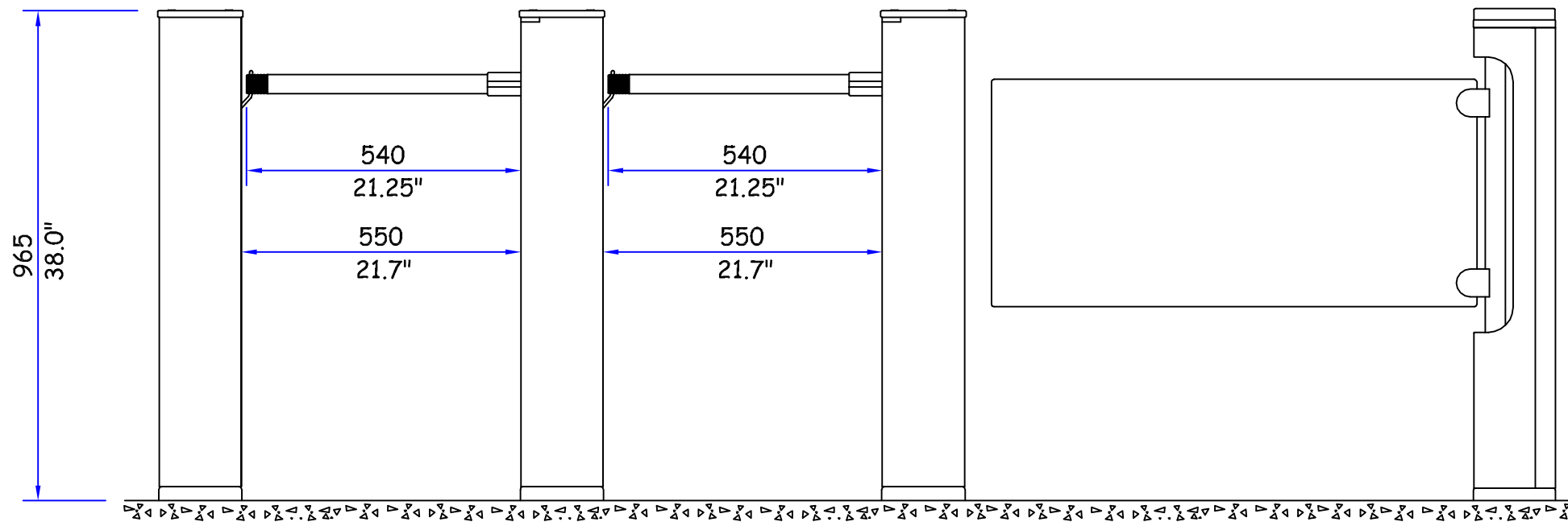
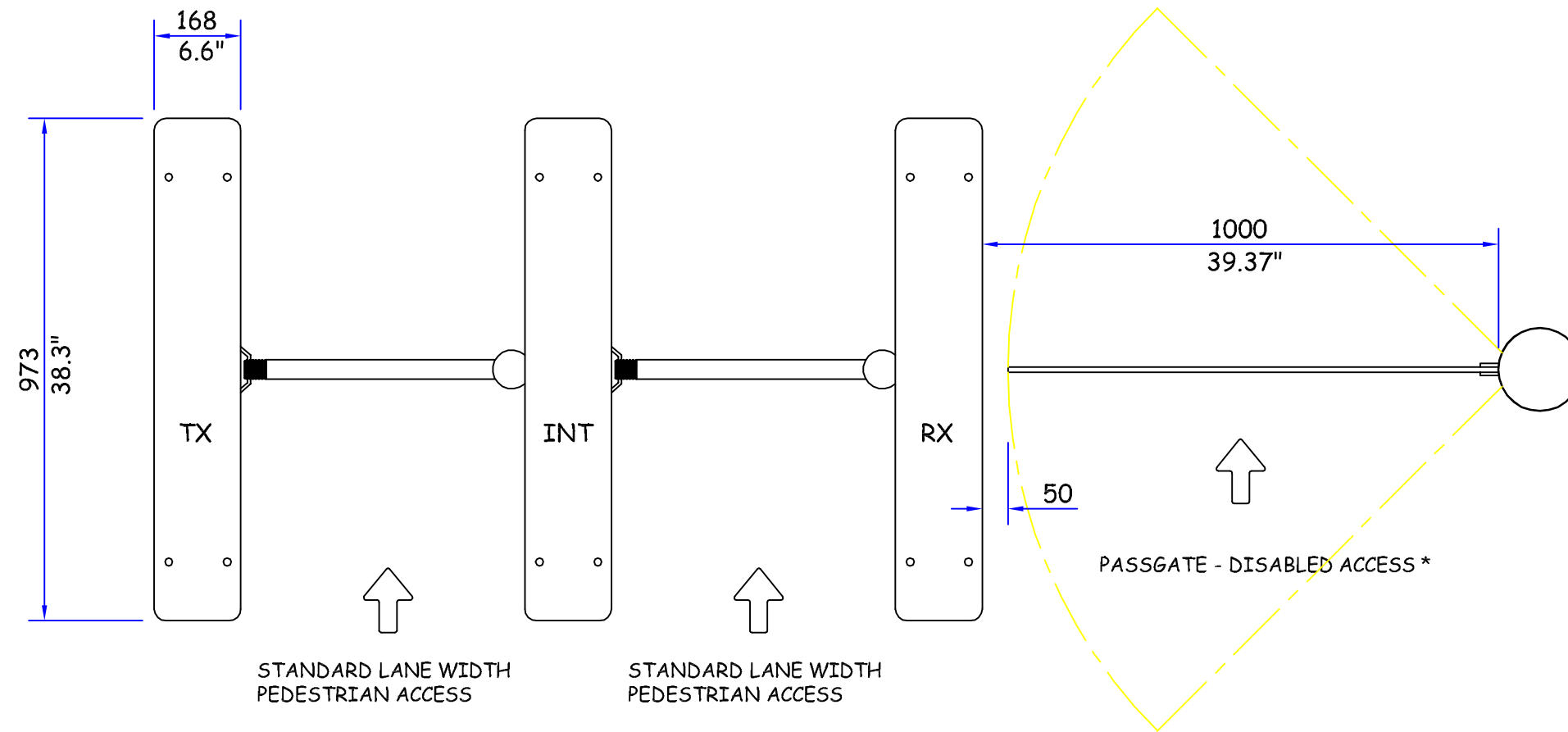
PRODUCT: FASTLANE PLUS S30	
TITLE: GENERAL LAYOUT	
DRAWN: RST	DRAWING No: S665_431_A2
DATE: 29.2.08	This document is the copyright of Integrated Design Ltd





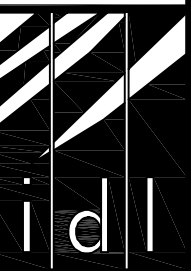
* SUBJECT TO LOCAL LEGISLATION

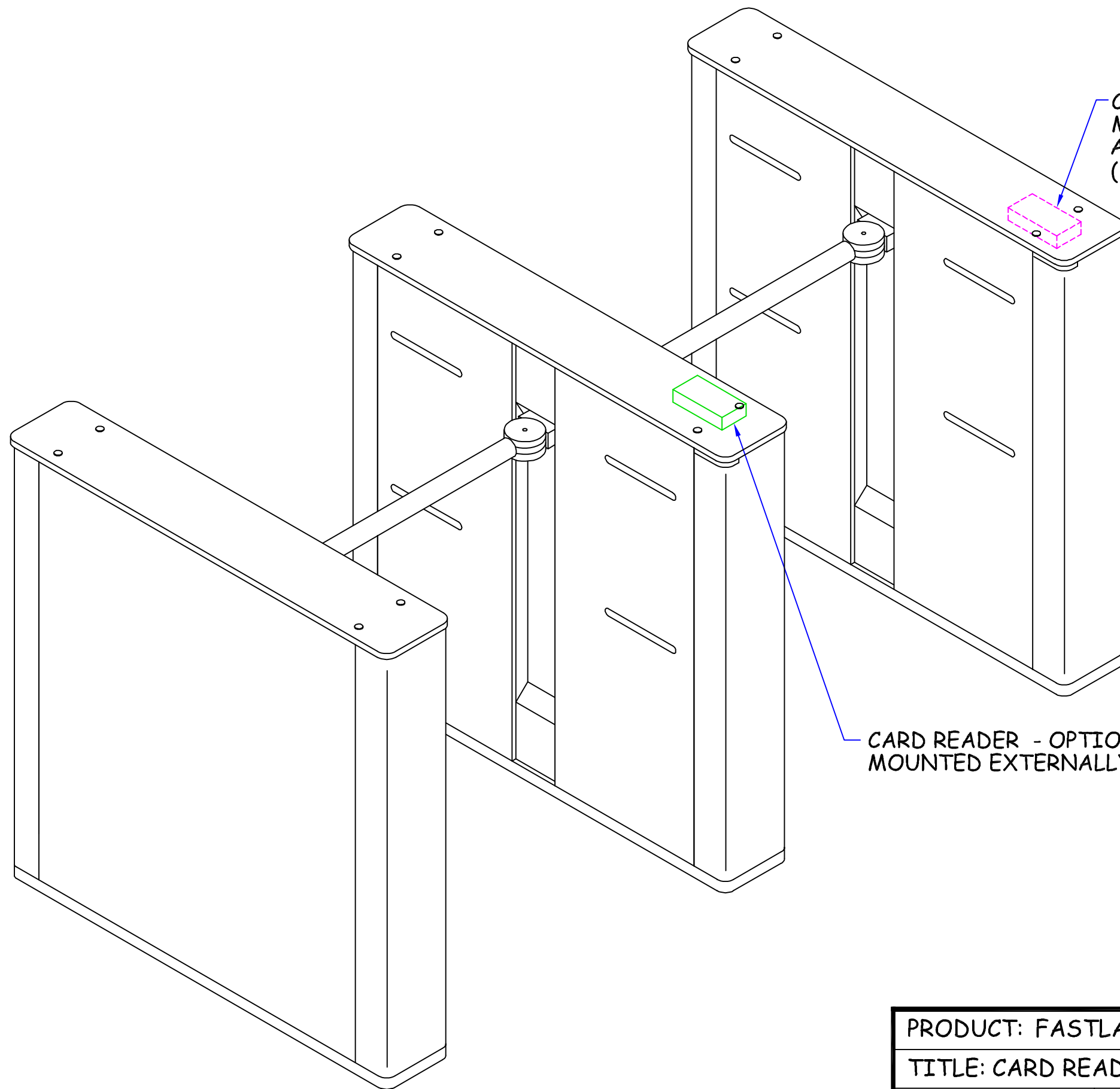
PRODUCT: FASTLANE PLUS S30		
TITLE: GENERAL LAYOUT		
DRAWN: RST	DRAWING No: S665_432_A3	
DATE: 29.2.08	This document is the copyright of Integrated Design Ltd	



* SUBJECT TO LOCAL LEGISLATION

PRODUCT: FASTLANE PLUS S30	
TITLE: GENERAL LAYOUT	
DRAWN: RST	DRAWING No: S665_433_A2
DATE: 29.2.08	This document is the copyright of Integrated Design Ltd

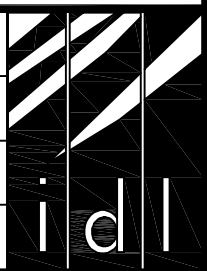


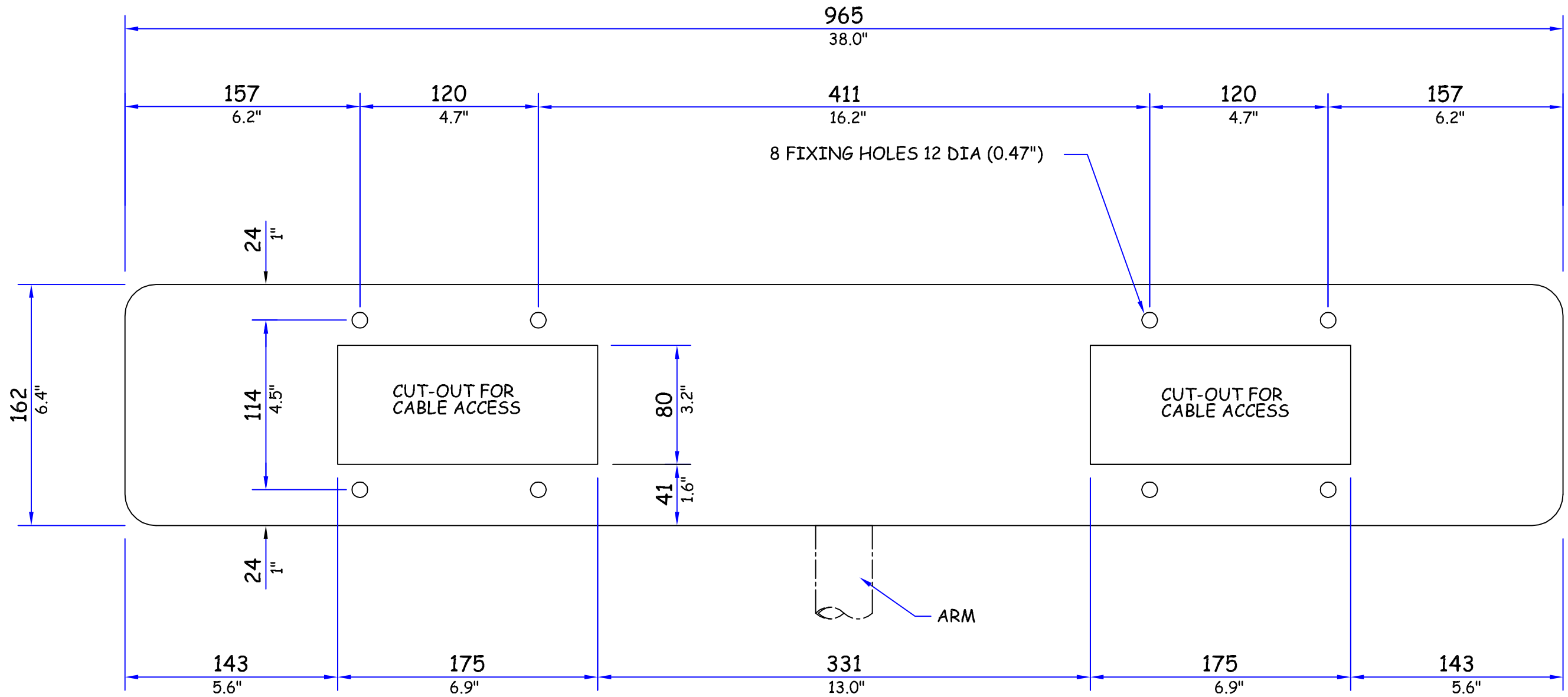


CARD READER - OPTION 1
MOUNTED BELOW CORIAN TOP
AVAILABLE AREA 250 x 115 x 70
(10" x 4.5" x 2.75" APPROX.)

CARD READER - OPTION 2
MOUNTED EXTERNALLY ON CORIAN TOP

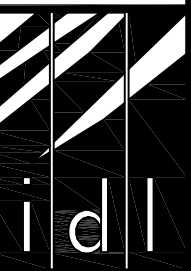
PRODUCT: FASTLANE PLUS S30	
TITLE: CARD READER OPTIONS	
DRAWN: DSC	DRAWING No: S665_434_A1
DATE: 22.4.08	This document is the copyright of Integrated Design Ltd

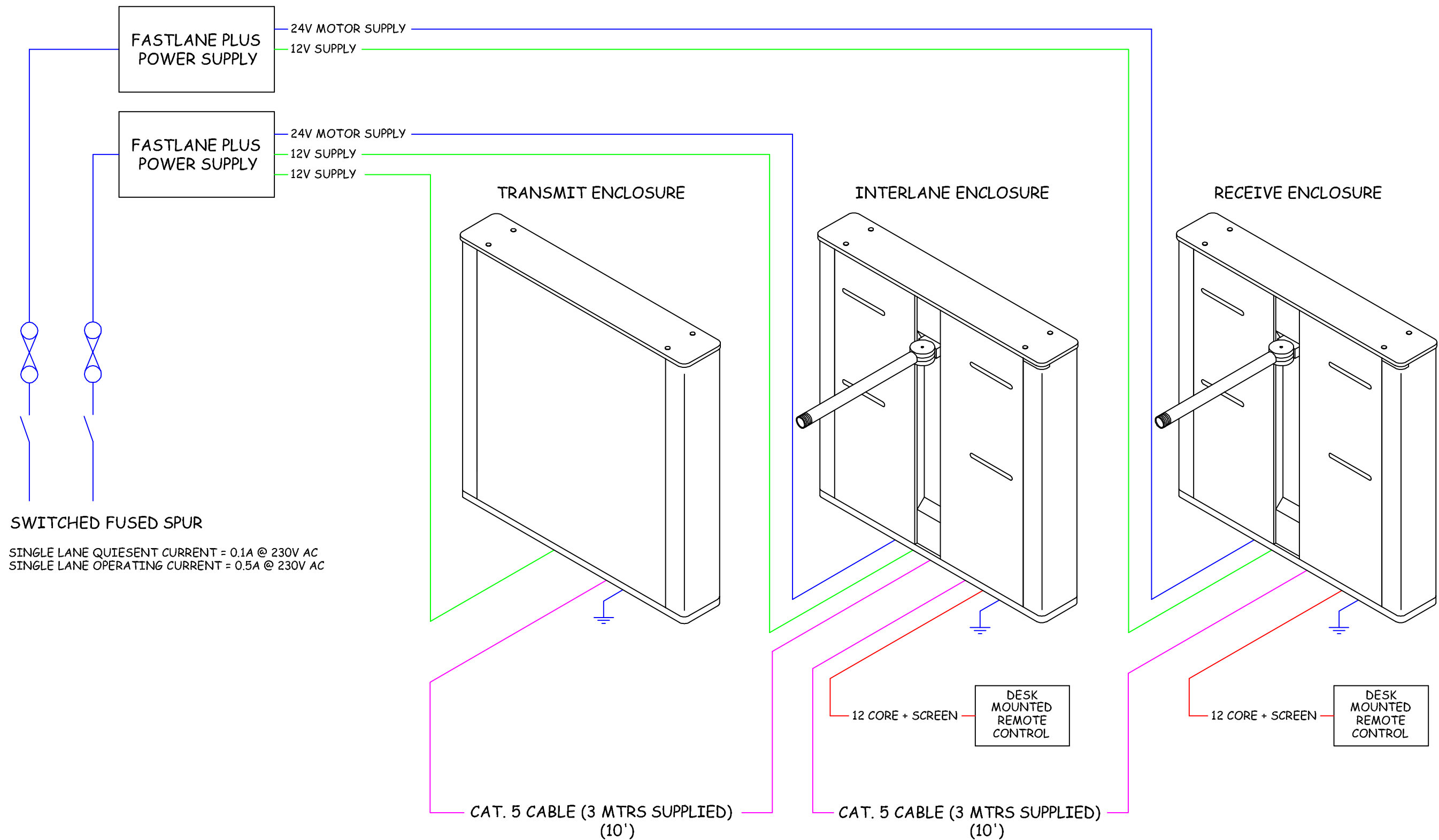





NOTE: UNIT IS TO BE SECURED TO THE FLOOR USING 10mm (0.39") DIA FIXINGS SUITABLE FOR THE FLOOR STRUCTURE.

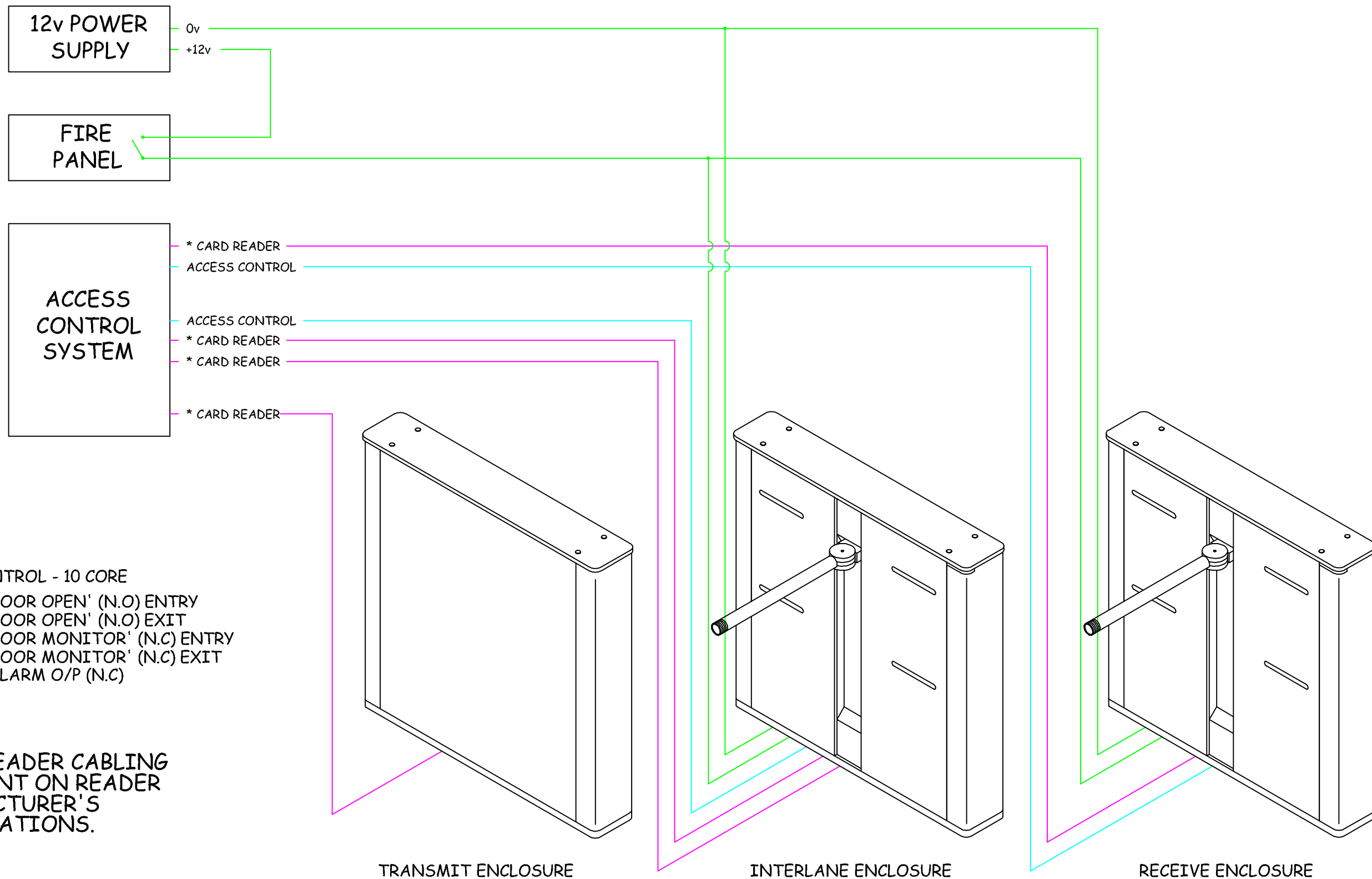
PRODUCT: FASTLANE PLUS S30	
TITLE: BASE DRILLING TEMPLATE	
DRAWN: DSC	DRAWING No: S665_435_A0
DATE: 23.4.08	This document is the copyright of Integrated Design Ltd





THIS DRAWING SHOWS THE FASTLANE PLUS CABLING REQUIREMENTS. IT IS TO BE READ IN CONJUNCTION WITH DRAWING 665_437_A1, WHICH SHOWS THE CABLING REQUIREMENTS FOR THE ACCESS CONTROL INTEGRATION. FOR FURTHER INFORMATION, REFER TO THE INSTALLATION MANUAL.

PRODUCT: FASTLANE PLUS S30		
TITLE: CABLING REQUIREMENTS		
DRAWN: DSC	DRAWING No: S665_436_A1	
DATE: 23.4.08	This document is the copyright of Integrated Design Ltd	




ACCESS CONTROL - 10 CORE

<IP 'DOOR OPEN' (N.O) ENTRY
 IP> 'DOOR OPEN' (N.O) EXIT
 <ENT 'DOOR MONITOR' (N.C) ENTRY
 ENT> 'DOOR MONITOR' (N.C) EXIT
 AL1 ALARM O/P (N.C)

* CARD READER CABLING
 DEPENDENT ON READER
 MANUFACTURER'S
 SPECIFICATIONS.

THIS DRAWING SHOWS THE ACCESS CONTROL INTEGRATION REQUIREMENTS.
 IT IS TO BE READ IN CONJUNCTION WITH DRAWING 665_436_A1
 WHICH SHOWS THE FASTLANE PLUS CABLING REQUIREMENTS.

FOR FURTHER INFORMATION, REFER TO THE INSTALLATION MANUAL.

PRODUCT: FASTLANE PLUS S30		
TITLE: CABLING REQUIREMENTS		
DRAWN: DSC	DRAWING No: S665_437_A1	
DATE: 23.4.08	This document is the copyright of Integrated Design Ltd	