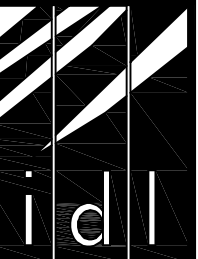
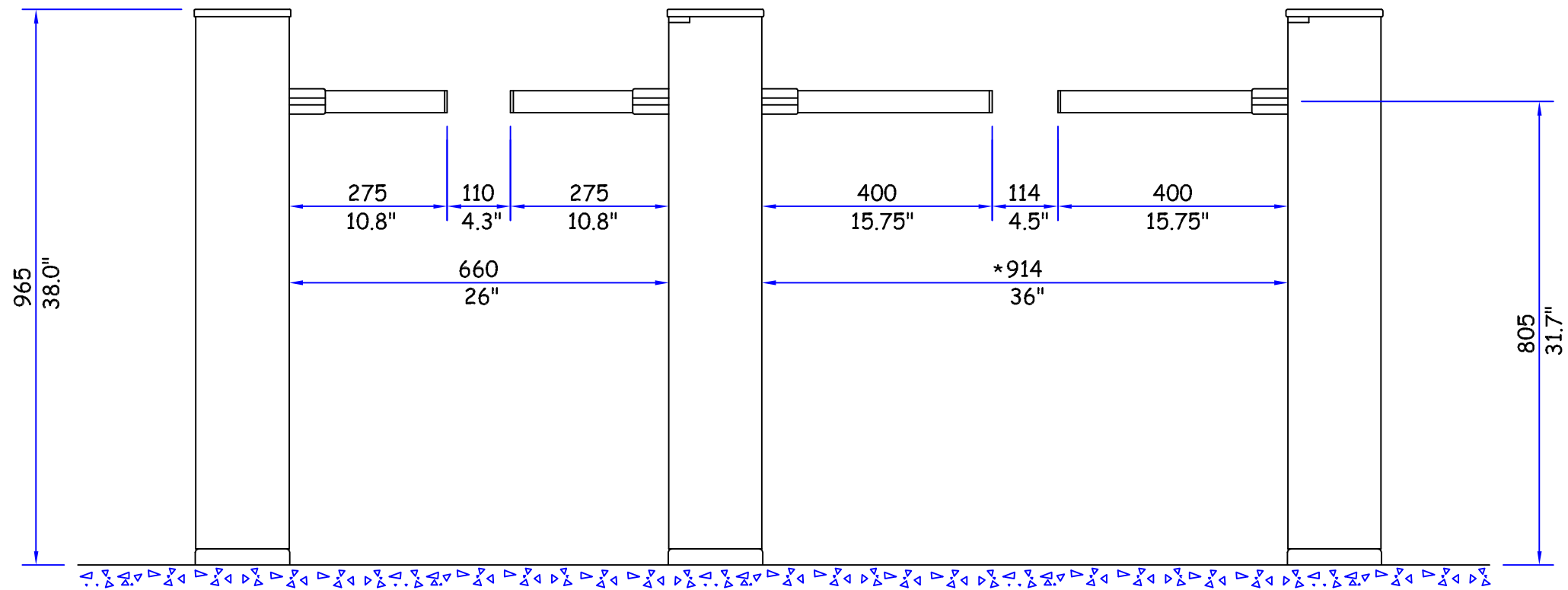
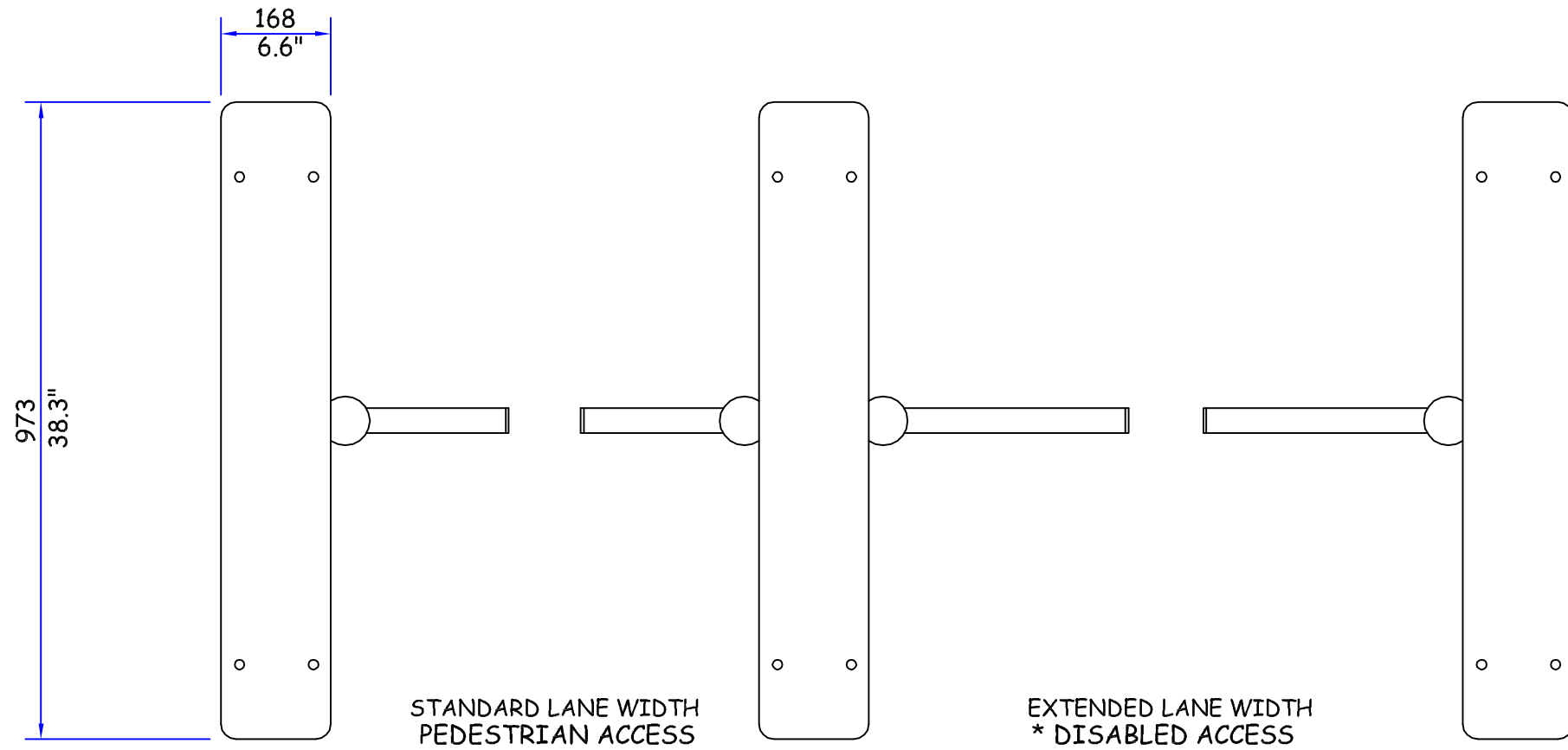


PRODUCT: FASTLANE PLUS S400	
TITLE: GENERAL DIMENSIONS	
DRAWN: RST	DRAWING No: S665_400_A2
DATE: 12.12.07	This document is the copyright of Integrated Design Ltd

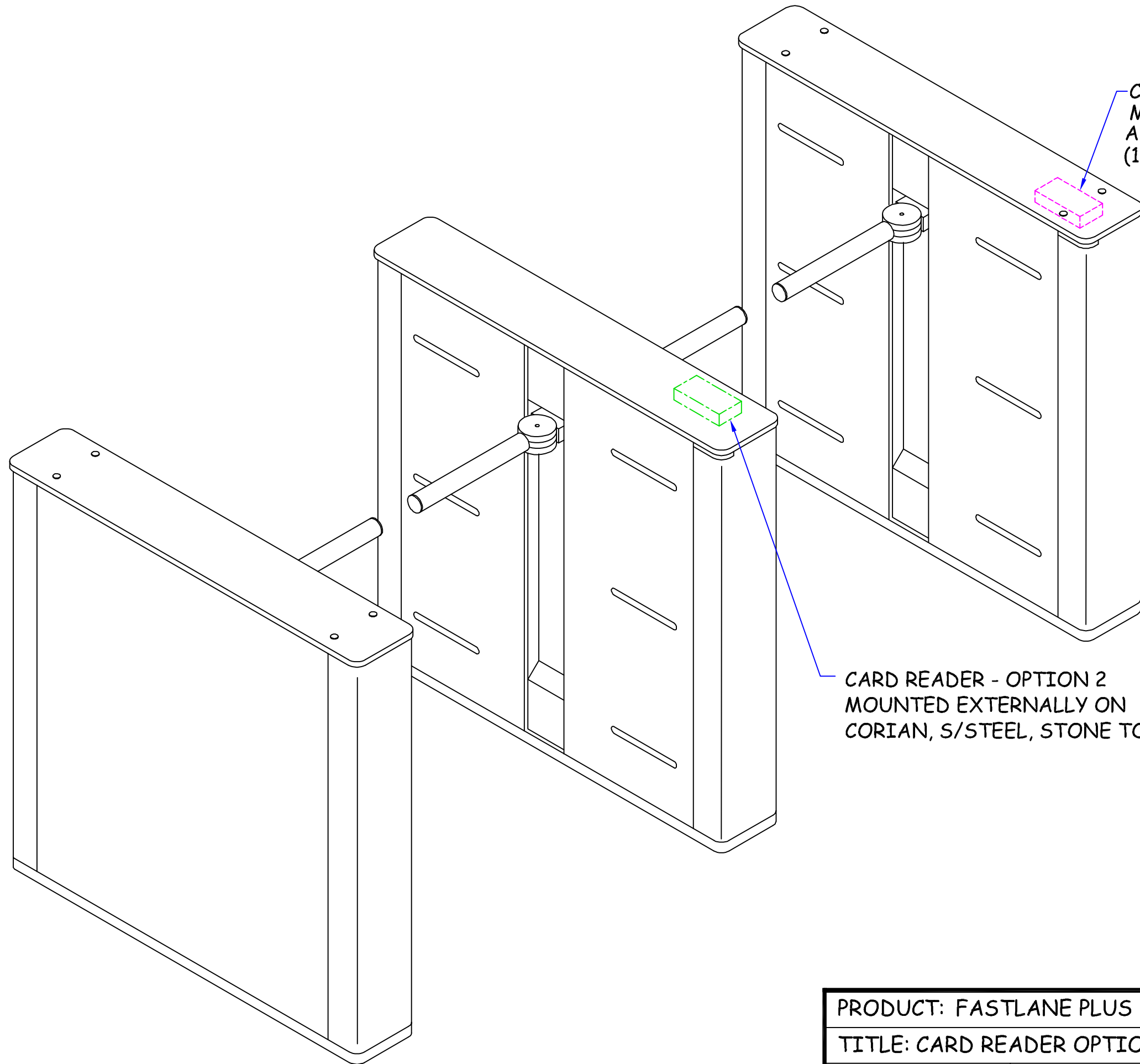




* SUBJECT TO LOCAL LEGISLATION

PRODUCT: FASTLANE PLUS S400	
TITLE: GENERAL LAYOUT	
DRAWN: RST	DRAWING No: S665_401_A3
DATE: 25.3.08	This document is the copyright of Integrated Design Ltd

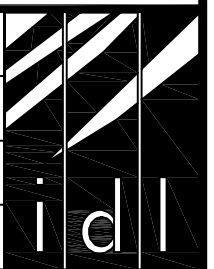


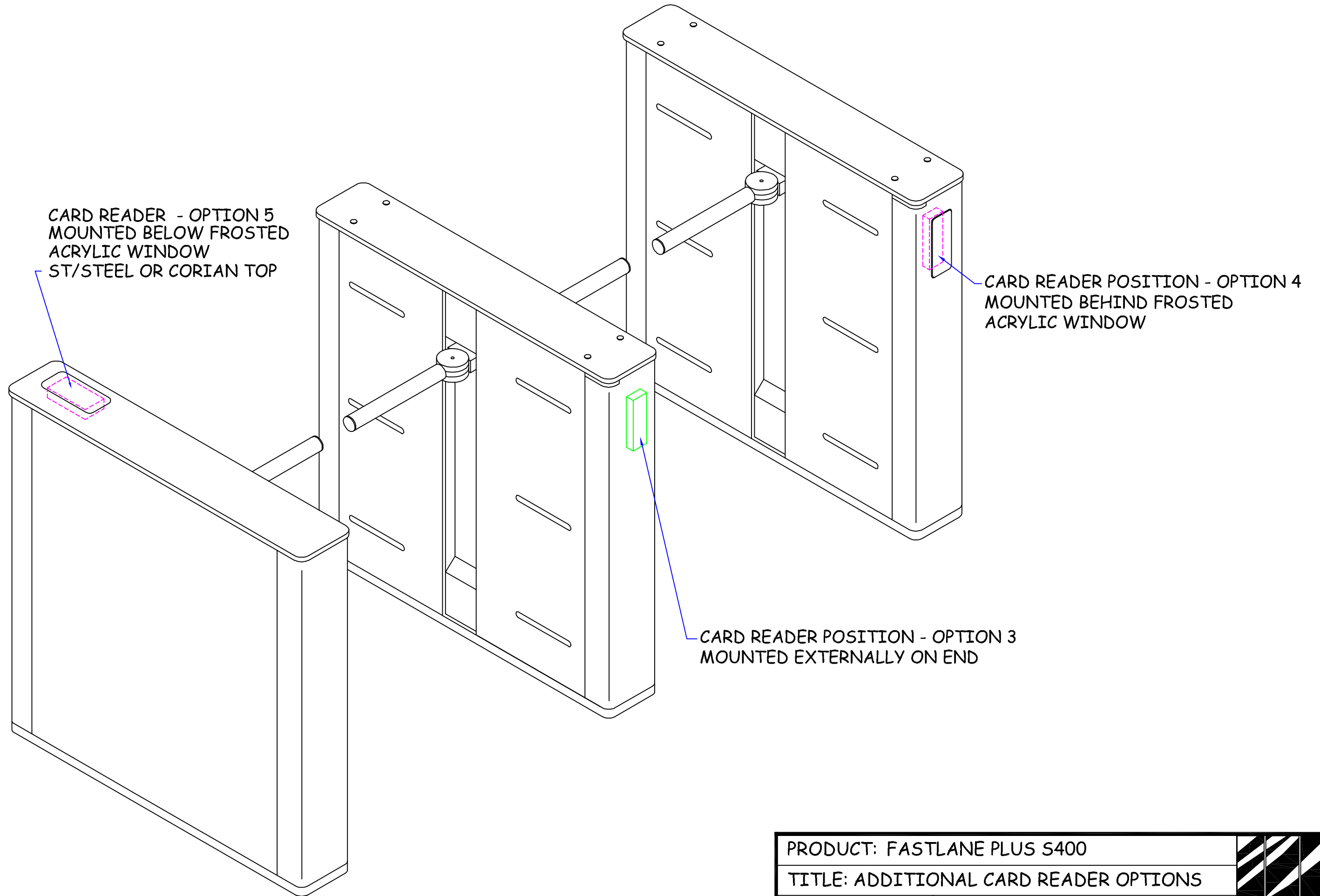


CARD READER - OPTION 1
MOUNTED BELOW GLASS TOP
AVAILABLE AREA 250 x 115 x 70
(10" x 4.5" x 2.75" APPROX.)

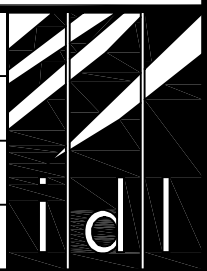
CARD READER - OPTION 2
MOUNTED EXTERNALLY ON
CORIAN, S/STEEL, STONE TOP

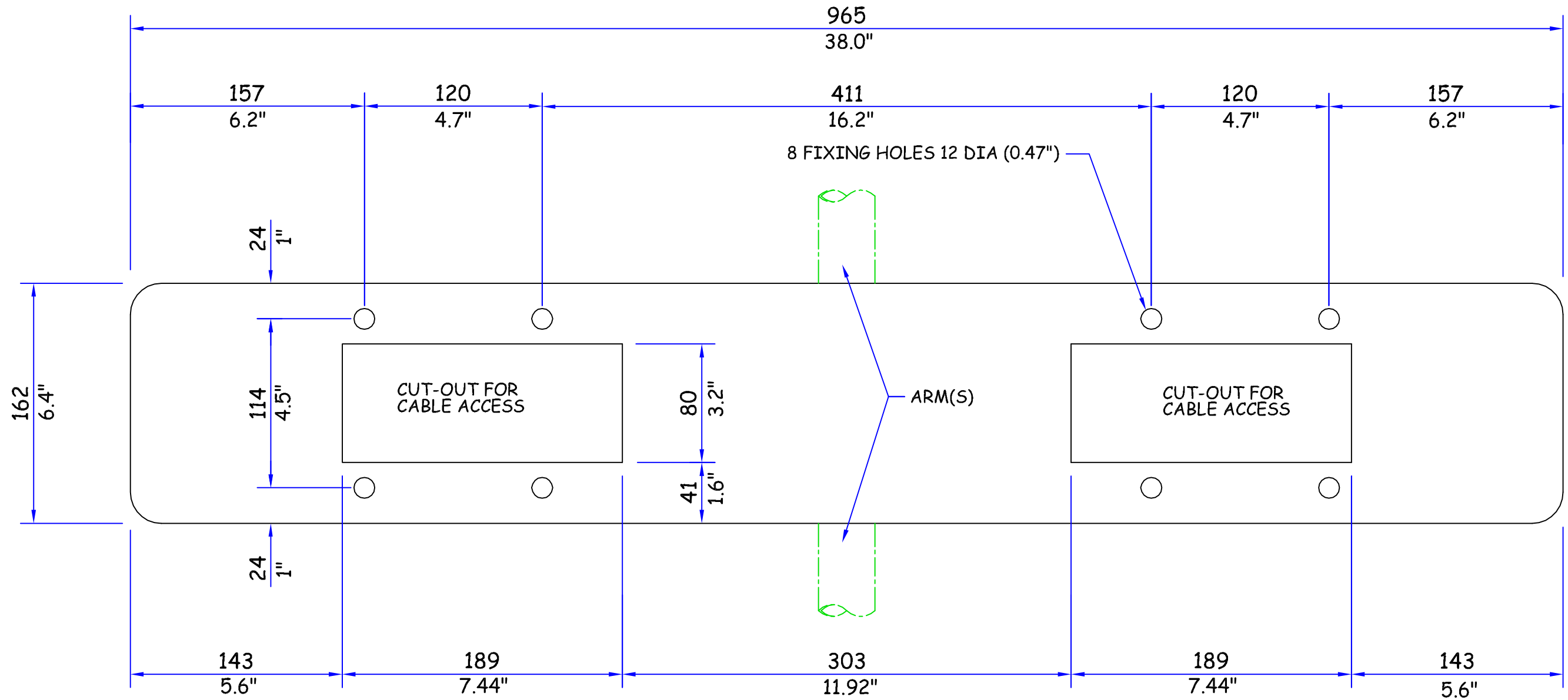
PRODUCT: FASTLANE PLUS S400	
TITLE: CARD READER OPTIONS	
DRAWN: RST	DRAWING No: S665_403_A2
DATE: 19.12.07	This document is the copyright of Integrated Design Ltd





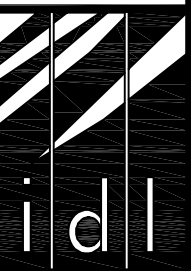
PRODUCT: FASTLANE PLUS S400	
TITLE: ADDITIONAL CARD READER OPTIONS	
DRAWN: RST	DRAWING No: S665_404_A1
DATE: 19.12.07	This document is the copyright of Integrated Design Ltd

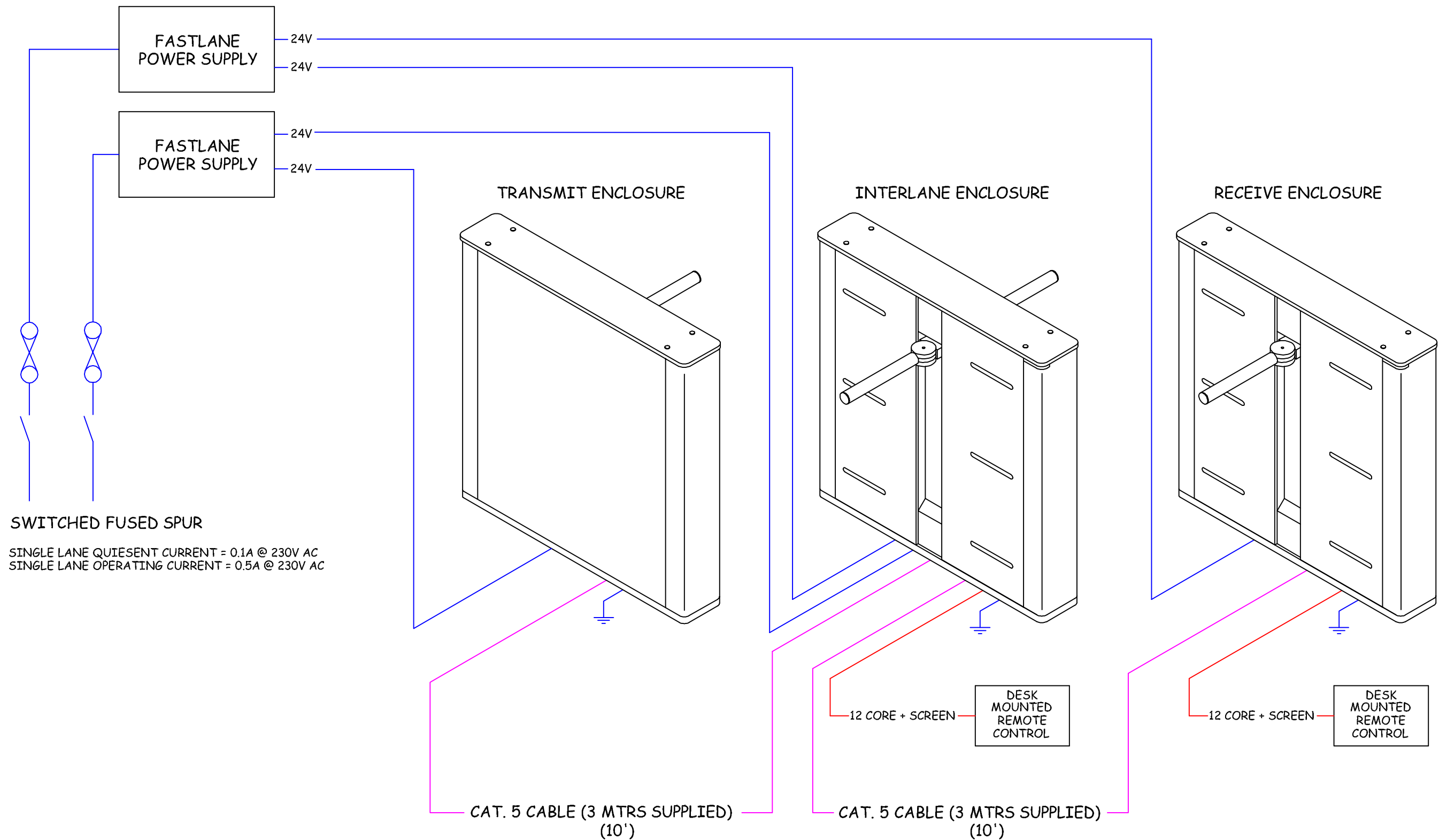





NOTE: UNIT IS TO BE SECURED TO THE FLOOR USING 10mm (0.39") DIA FIXINGS SUITABLE FOR THE FLOOR STRUCTURE.

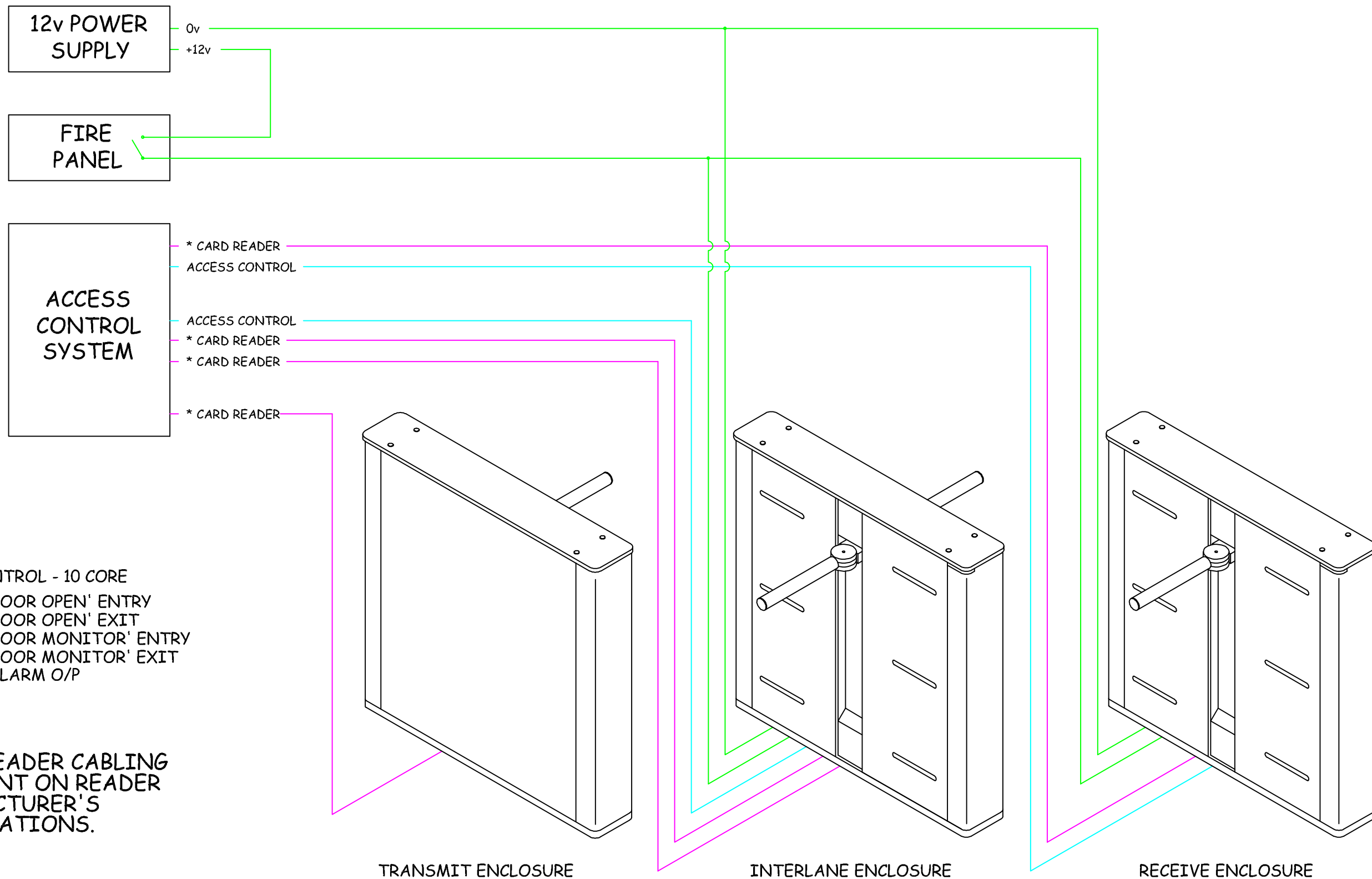
PRODUCT: FASTLANE PLUS S400	
TITLE: BASE DRILLING TEMPLATE	
DRAWN: RST	DRAWING No: S665_405_A1
DATE: 19.12.07	This document is the copyright of Integrated Design Ltd





THIS DRAWING SHOWS THE FASTLANE PLUS CABLING REQUIREMENTS. IT IS TO BE READ IN CONJUNCTION WITH DRAWING 665_408_A2, WHICH SHOWS THE CABLING REQUIREMENTS FOR THE ACCESS CONTROL INTEGRATION. FOR FURTHER INFORMATION, REFER TO THE INSTALLATION MANUAL.

PRODUCT: FASTLANE PLUS S400		
TITLE: CABLING REQUIREMENTS		
DRAWN: RST	DRAWING No: S665_407_A2	
DATE: 19.12.07	This document is the copyright of Integrated Design Ltd	



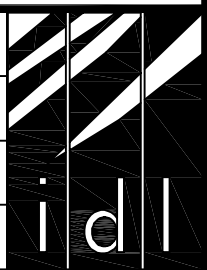
ACCESS CONTROL - 10 CORE

<IP 'DOOR OPEN' ENTRY
 IP> 'DOOR OPEN' EXIT
 <ENT 'DOOR MONITOR' ENTRY
 ENT> 'DOOR MONITOR' EXIT
 ALR ALARM O/P

* CARD READER CABLING
 DEPENDENT ON READER
 MANUFACTURER'S
 SPECIFICATIONS.

THIS DRAWING SHOWS THE ACCESS CONTROL INTEGRATION REQUIREMENTS.
 IT IS TO BE READ IN CONJUNCTION WITH DRAWING 665_407_A2
 WHICH SHOWS THE FASTLANE PLUS CABLING REQUIREMENTS.

FOR FURTHER INFORMATION, REFER TO THE INSTALLATION MANUAL.

PRODUCT: FASTLANE PLUS S400		
TITLE: CABLING REQUIREMENTS		
DRAWN: RST	DRAWING No: S665_408_A2	
DATE: 19.12.07	This document is the copyright of Integrated Design Ltd	