

# Fastlane Clearstyle 200

## Key Features

■ <b>Dimensions</b>	<b>Standard</b>	<b>Wheelchair</b>
	(L) 627 mm / 24.69" (W) 175 mm / 6.89" (H) 1030 mm / 40.5"	(L) 627 mm / 24.69" (W) 175 mm / 6.89" (H) 1030 mm / 40.5"
■ <b>Lane Width</b>	600 - 700 mm 23 - 28"	850 - 960 mm 33 - 38"
	Rectangular	
■ <b>Shape of Unit</b>	6	
■ <b>Number of Infra-red Beams</b>	None	
■ <b>Barrier Type</b>	N/A	
■ <b>Barrier Position</b>	<b>Standard</b> – N/A	<b>Options</b> – N/A
■ <b>Barrier Height</b>	Barrier Free	
■ <b>Primary Operating Mode</b>	Pedestals installed further apart	
■ <b>Wheelchair Access</b>	No cost implication	
■ <b>Distance to *</b>	150 mm / 6"	
	N/A	
■ <b>Detect Tailgaters</b>	1 person per second (subject to access system)	
■ <b>Physically Impede Tailgaters</b>	Tri-Colour Graphic Display	
■ <b>Speed of Throughput</b>	Enclosure Materials at extra cost	
■ <b>User Display</b>	Barrier Free	
■ <b>Customisable Features</b>		
■ <b>Safety Features</b>		



The Fastlane Clearstyle 200 has redefined the optical turnstile category, by providing the most discreet form of security possible and exceeding the most demanding architects' design requirements. Clearstyle 200 blends right in to the fabric of the building, delivering the perfect combination of security and aesthetics. The construction is a combination of stainless steel and clear Perspex panels. The stainless steel end sections can be provided in a variety of finishes to ensure a perfect match with the building's surroundings.

### Secure

Fastlane offers a similar level of security as a ½ height turnstile and is designed to alert security staff to unauthorised entry attempts by triggering an audible alarm and controlling other security measures such as CCTV systems, lighting and locking doors. Fastlane activates an alarm in the event of an illegal action i.e. if an unauthorised person attempts to enter. Fastlane is also designed to detect the following: **Tailgating** - people who attempt to enter without a valid access card by following closely behind an authorised cardholder; **Collusion & Obstruction** - Fastlane alarms when two individuals actively collude to gain entry with a single card, or where beams are deliberately blocked; **Pass-back** - helps to enforce the 'one card, one person, one direction' rule, assisting the access control system to maintain 'anti pass-back' integrity; **Non-entry** - Fastlane can detect when a card is presented but a person does not pass through the channel.

### User-friendly

The absence of a physical barrier ensures fast throughput (up to one person per second) and unrestricted movement for all personnel, with safe disabled access and emergency egress. Users are greeted by an intuitive user interface, which automatically guides the user through the entry and exit procedure, ensuring fast easy access for authorised users.

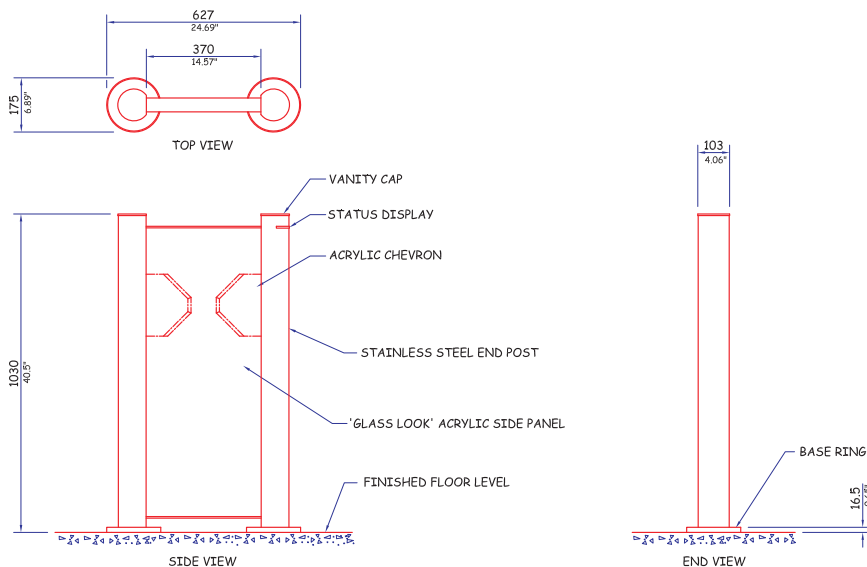
[www.fastlane-turnstiles.com](http://www.fastlane-turnstiles.com)



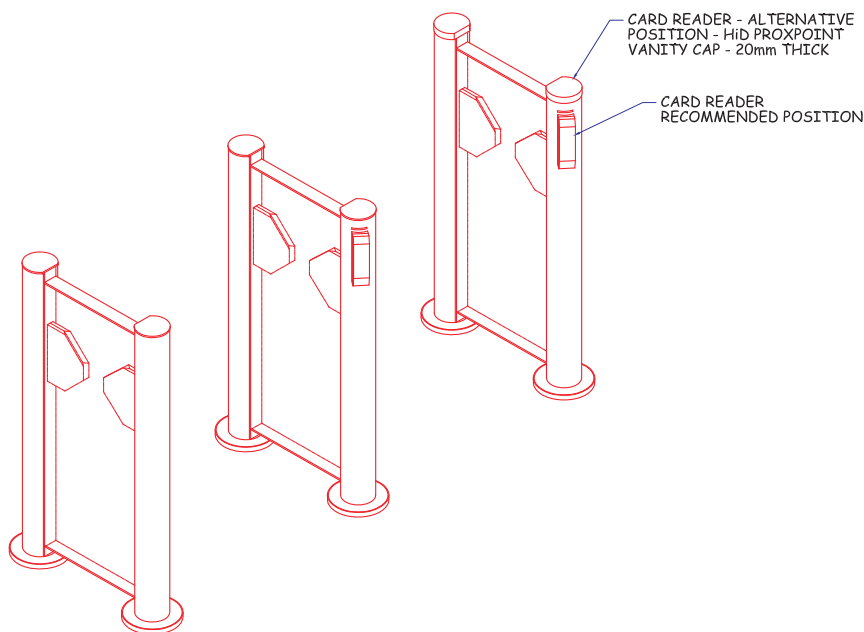
# Setting New Standards In Entrance Control



## Unit Information



## Card Reader Mounting Options



## Technical Specifications

### Power Requirements:

Mains PSU Supplied (115-230VAC) providing up to 24Vdc @ 60VA

### Optics:

Pulsed multi infrared beam array, synchronised for detection, environmentally hardened to avoid sunlight interference.

### User Interface:

User programmable Tri-colour Graphic Display

### Sounders:

Single Tone Sounder: Card Authorisation/Alarm Condition

### Inputs:

Require voltage-free switching (current sense 1mA typical)  
Entry Request (NORMALLY OPEN)  
Exit Request (NORMALLY OPEN)  
Visitor Access (NORMALLY OPEN)

### Outputs:

Voltage free relay contacts rated 0.5A, 28vDC in two groups for the following functions:

### Output to System:

Entry (NORMALLY CLOSED)  
Exit (NORMALLY CLOSED)  
Alarm (NORMALLY CLOSED)

### Flow Control and Alarm Outputs:

Ready for Entry (NORMALLY CLOSED, NORMALLY OPEN, COMMON poles)  
Ready for Exit (NORMALLY CLOSED, NORMALLY OPEN, COMMON poles)  
Remote Alarm (NORMALLY OPEN)

### Lane width:

Standard: 600-700 mm (23-28 inches)  
Disabled: 850-960 mm (33-38 inches)

### Speed of Throughput:

1 person per second typical. (Subject to access control system)

### Tailgate Detection Distance:

150 mm (6 inches)

### Modes:

Bi-Directional Card In/Card Out On Demand  
Bi-Directional Card In/Free Exit  
Enter Only/Exit Only  
Lane Closed

### Turnstile Operation:

As defined in the Factory Acceptance Test Specification

Specification subject to change without prior notice.

## Disabled Access

Fastlane's combination of audible and visual sounders coupled with 'wheelchair width' lane options make Fastlane compliant with most international disabilities regulations without the need for a separate passgate.

## Easy Installation

Fastlane has been designed with easy installation and low maintenance in mind and can be integrated into any existing access control or building management system. Fastlane can be used in conjunction with most card reading technologies, making it ideal for both new installations and retrofits in to existing buildings.

For further information please contact your local dealer or the manufacturer.

**ISSUE DATE 02/09/09**

\*Subject to speed of users Installation photos may not represent current production models

## Accessories and Optional Extras

### Fastlane Floor Protector

The Fastlane Floor Protector system is designed for temporary installations and enables Fastlanes to be installed quickly and cost effectively, without drilling or otherwise damaging the floor on which they stand.

### Fastlane Infill System

The Fastlane Infill System is a series of decorative modular panels, which complement the Fastlane and Fastlane *plus* turnstiles by guiding users in the desired direction.

### Fastlane Remote Control

This desk mounted controller is designed to allow the guard to override some of the features of the Fastlanes, facilitate visitor entry and to give a visual indication of alarms at the guard desk.

### Card Reader Mounting

A number of alternative card reader mounting options are available.

### Alternative material and colour finishes

IDL offers a full design service for custom enclosures, as well as alternative colours and materials.



Manufactured by:  
Integrated Design Ltd  
Feltham Point  
Browells Lane  
Feltham  
Middlesex  
TW13 7EQ, UK

t: +44 (0) 208 890 5550  
f: +44 (0) 208 890 2444  
e: info@idl.co.uk

w: www.idl.co.uk  
w: www.fastlane-turnstiles.com