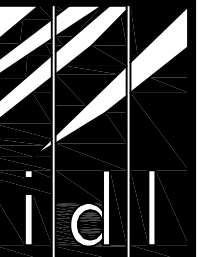
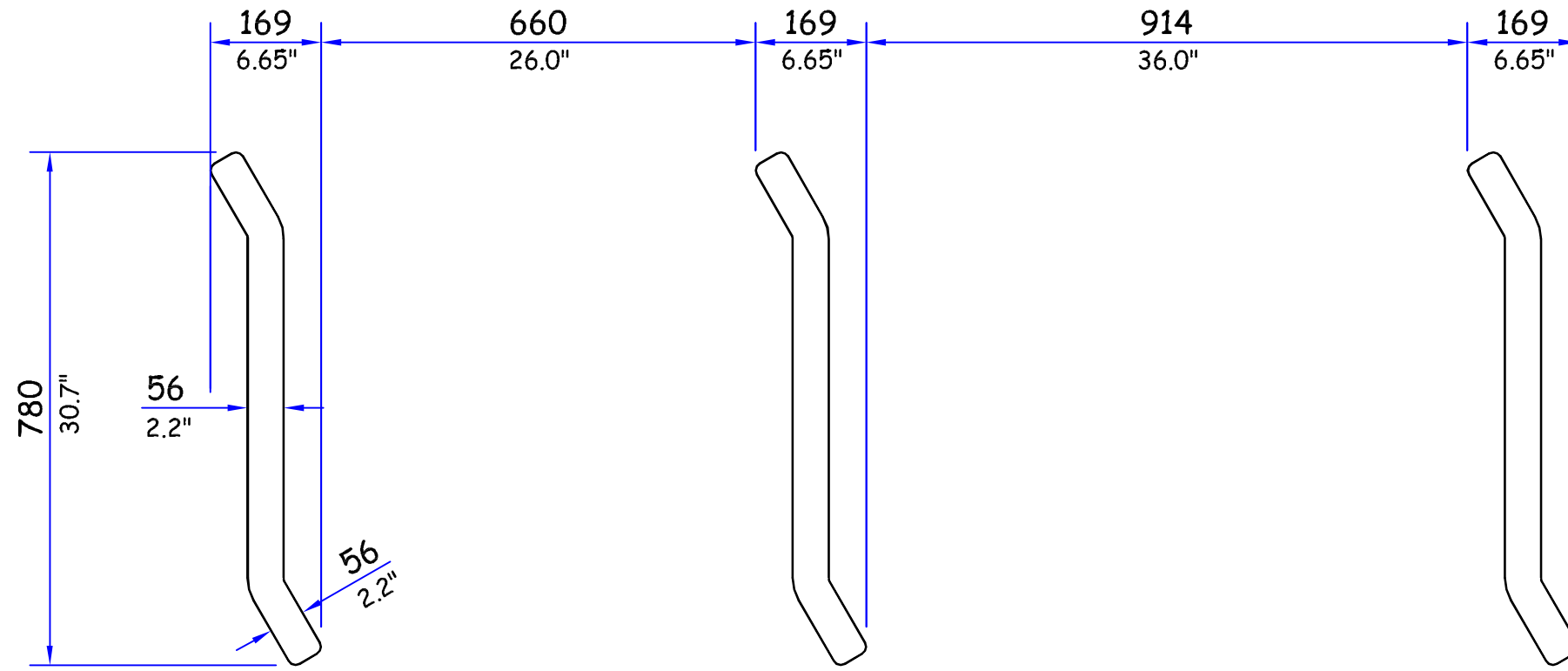


CARD READER DETAILS:

1. CARD READER WINDOW DIMENSIONS
93Wx200L
(3.66"x7.87")
2. MAXIMUM READER/MODULE ENVELOPE
85W x 44D x 200L
(3.34"x1.73"x7.87")

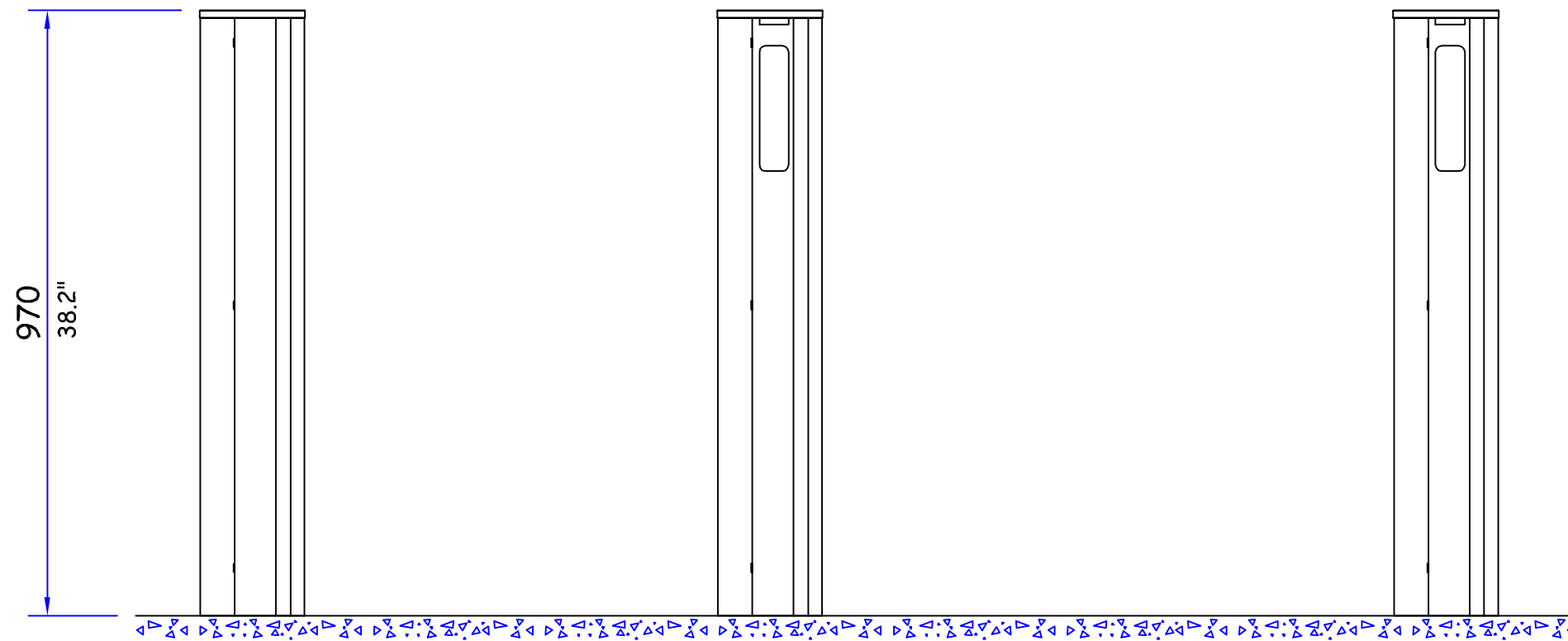
PRODUCT: CLEARSTYLE 400	
TITLE: GENERAL DIMENSIONS	
DRAWN: DSC	DRAWING No: S665_680_A0
DATE: 08.05.09	This document is the copyright of Integrated Design Ltd





STANDARD LANE WIDTH
PEDESTRIAN ACCESS

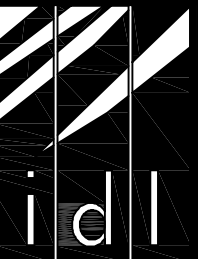
EXTENDED LANE WIDTH
* DISABLED ACCESS



* SUBJECT TO LOCAL LEGISLATION

THIS DRAWING SHOWS TYPICAL LANE WIDTHS.
LANES CAN BE BETWEEN 550mm & 1000mm. (21.7" & 39.4")

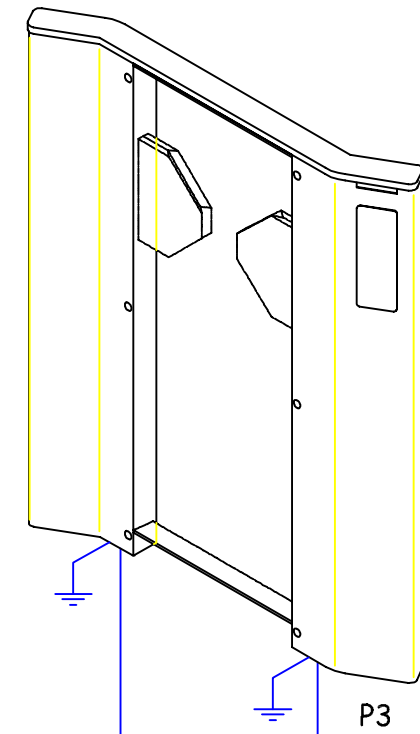
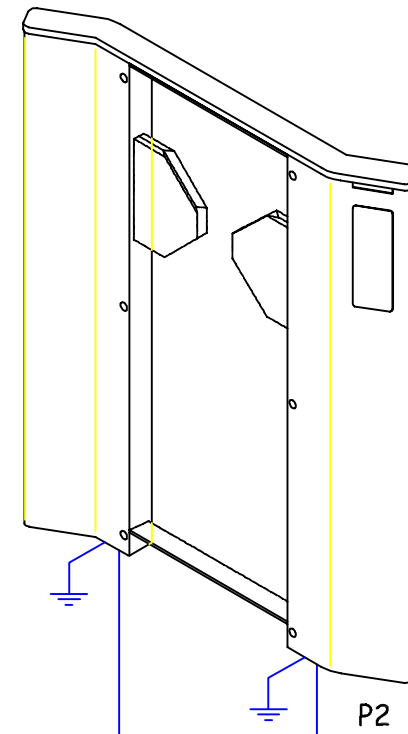
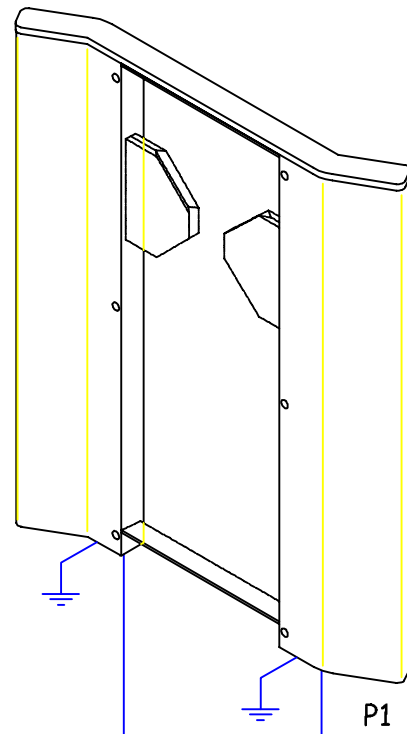
PRODUCT: CLEARSTYLE 400	
TITLE: GENERAL LAYOUT	
DRAWN: DSC	DRAWING No: S665_681_A0
DATE: 21.5.09	This document is the copyright of Integrated Design Ltd



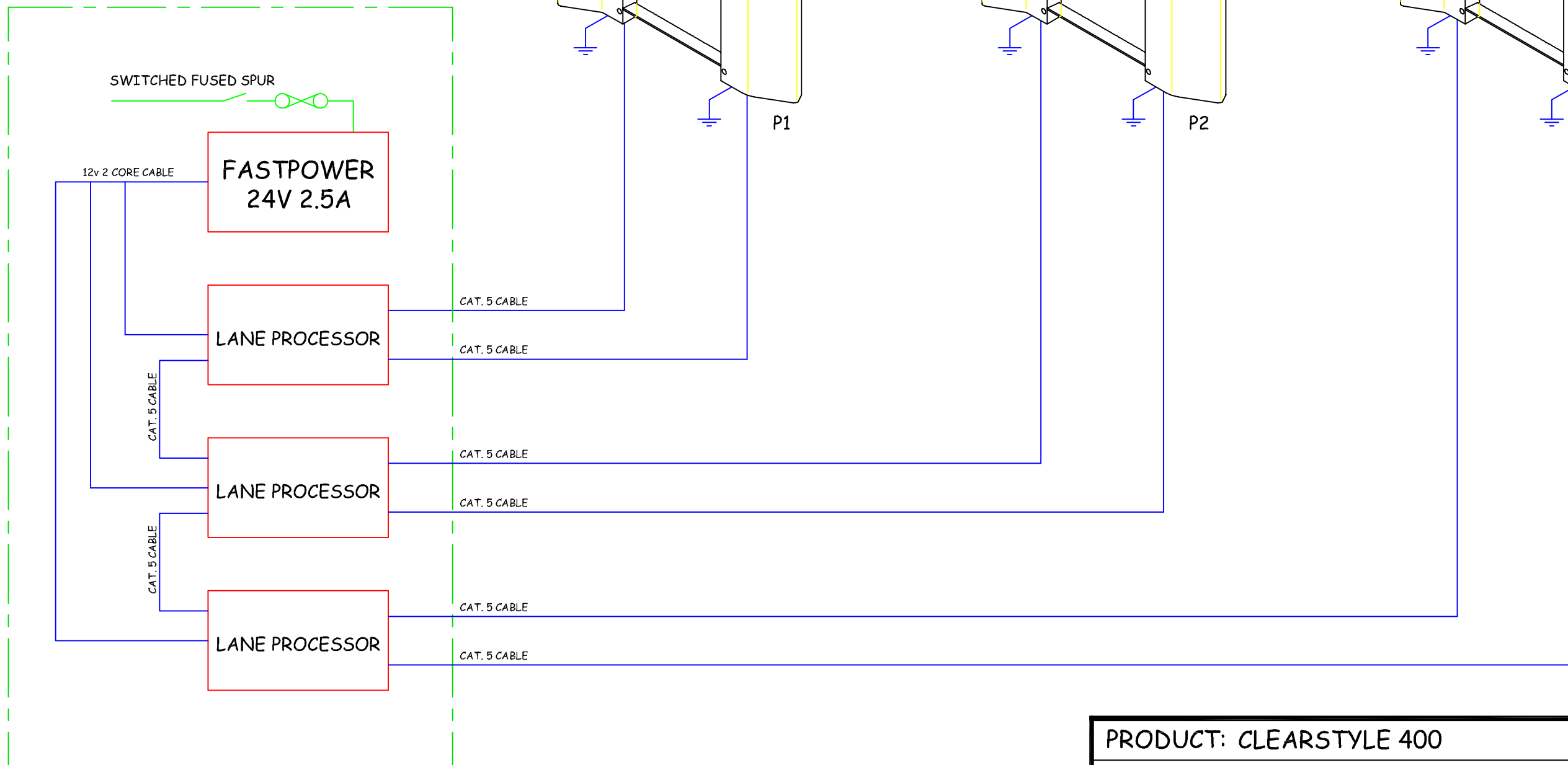
TRANSMIT UNIT

INTERLANE UNIT

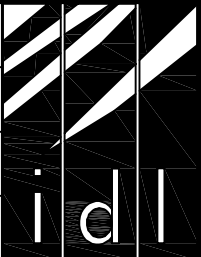
RECEIVE UNIT



REMOTE EQUIPMENT LOCATION
MAX DISTANCE 30M TO PEDESTALS



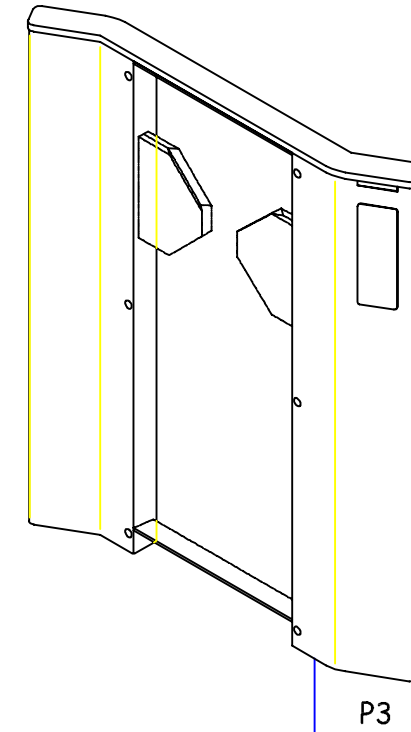
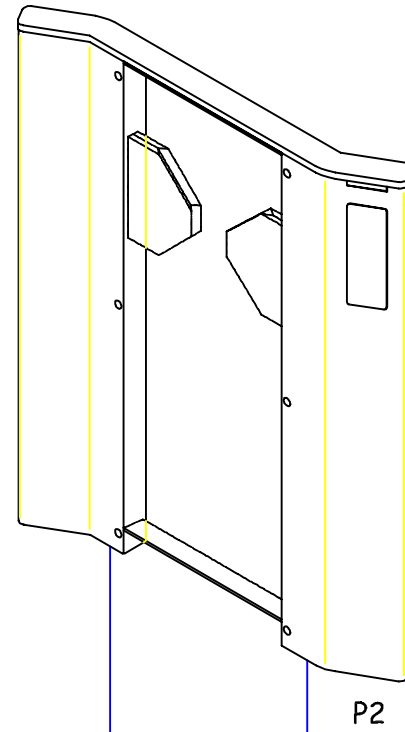
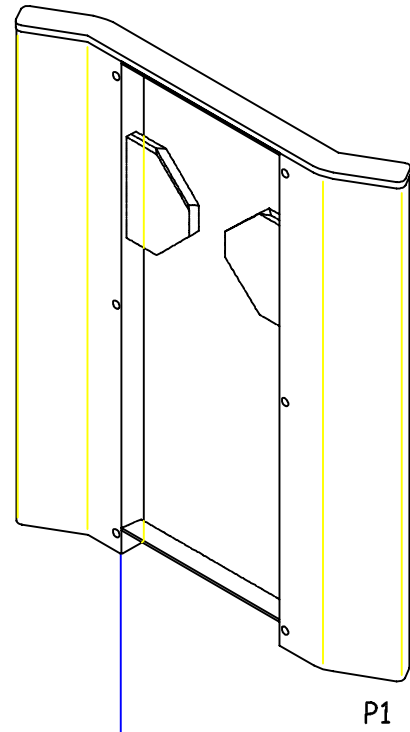
PRODUCT: CLEARSTYLE 400	
TITLE: CABLING REQUIREMENTS	
DRAWN: DSC	DRAWING No: S665_682_A0
DATE: 22.5.09	This document is the copyright of Integrated Design Ltd



TRANSMIT UNIT

INTERLANE UNIT

RECEIVE UNIT

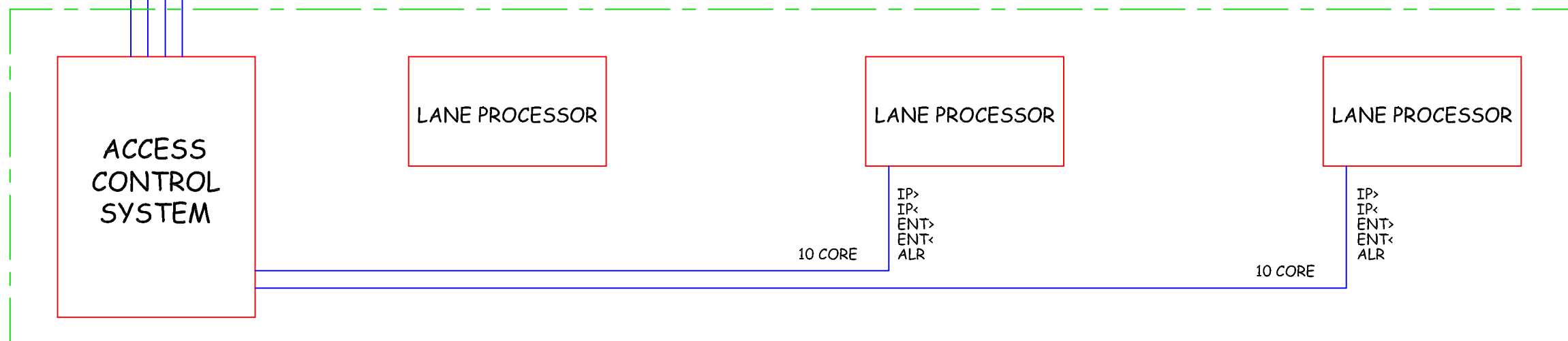


* CARD READER

* CARD READER

* CARD READER

* CARD READER



IP>
IP<
ENT>
ENT<
ALR

IP>
IP<
ENT>
ENT<
ALR

* CARD READER CABLING DEPENDENT ON CUSTOMER REQUIREMENTS

IP> 'DOOR OPEN' ENTRY
 IP< 'DOOR OPEN' EXIT
 ENT> 'DOOR CLOSED' ENTRY
 ENT< 'DOOR CLOSED' EXIT
 ALR ALARM O/P

PRODUCT: CLEARSTYLE 400	
TITLE: CABLING REQUIREMENTS	
DRAWN: DSC	DRAWING No: S665_683_A0
DATE: 22.5.09	This document is the copyright of Integrated Design Ltd

