

Fastlane Elliptical

Key Features

| | | |
|------------------------------------|--|----------------------|
| ■ Dimensions | Standard | Wheelchair |
| | (L) 1252 mm / 49.2" | (L) 1252 mm / 49.2" |
| | (W) 308 mm / 12" | (W) 308 mm / 12" |
| ■ Lane Width | (H) 960 mm / 37.75" | (H) 960 mm / 37.75" |
| | 600 - 700 mm | 850 - 960 mm |
| ■ Shape of Unit | 23 - 28" | 33 - 38" |
| | Square End (Elliptical option available) | |
| ■ Number of Infra-red Beams | 24 | |
| ■ Barrier Type | None | |
| ■ Barrier Position | N/A | |
| ■ Barrier Height | Standard – N/A | Options – N/A |
| ■ Primary Operating Mode | Barrier Free | |
| ■ Wheelchair Access | Pedestals installed further apart No cost implication | |
| ■ Distance to * | Detect Tailgaters | 5 mm / 0.25" |
| | Physically Impede Tailgaters | N/A |
| ■ Speed of Throughput | 1 person per second (subject to access system) | |
| ■ User Display | Tri-Colour End of Lane LEDs | |
| ■ Customisable Features | Decorative Tops at extra cost | |
| | (Standard: Low iron white backed glass) | |
| | Elliptical pedestal ends | |
| ■ Safety Features | Enclosure Materials at extra cost | |
| | Barrier Free | |



The Elliptical has been designed to provide a curved and longer length enclosure for clients who require a more imposing physical presence, whilst maintaining the highest speed of throughput. The Elliptical lane provides security guards with easier unauthorised access detection in a multi-lane scenario as the illegal entrant is still in the lane when the alarm is indicated. The enclosure is available with either a square or elliptical end, depending on preference. Additionally the modular decorative top design enables customers to tailor the unit's appearance by using virtually any material for the decorative top to help blend the unit in to the building design.



Secure

Fastlane offers a similar level of security as a ½ height turnstile and is designed to alert security staff to unauthorised entry attempts by triggering an audible alarm and controlling other security measures such as CCTV systems, lighting and locking doors. Fastlane activates an alarm in the event of an illegal action i.e. if an unauthorised person attempts to enter. Fastlane is also designed to detect the following: **Tailgating** - people who attempt to enter without a valid access card by following closely behind an authorised cardholder; **Collusion & Obstruction** - Fastlane alarms when two individuals actively collude to gain entry with a single card, or where beams are deliberately blocked; **Pass-back** - helps to enforce the 'one card, one person, one direction' rule, assisting the access control system to maintain 'anti pass-back' integrity; **Non-entry** - Fastlane can detect when a card is presented but a person does not pass through the channel.

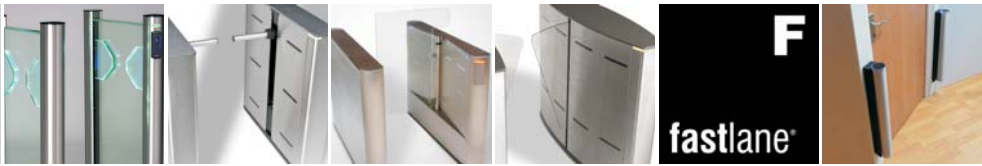
User-friendly

The absence of a physical barrier ensures fast throughput (up to one person per second) and unrestricted movement for all personnel, with safe disabled access and emergency egress. Users are greeted by an intuitive user interface, which automatically guides the user through the entry and exit procedure, ensuring fast easy access for authorised users.

www.fastlane-turnstiles.com

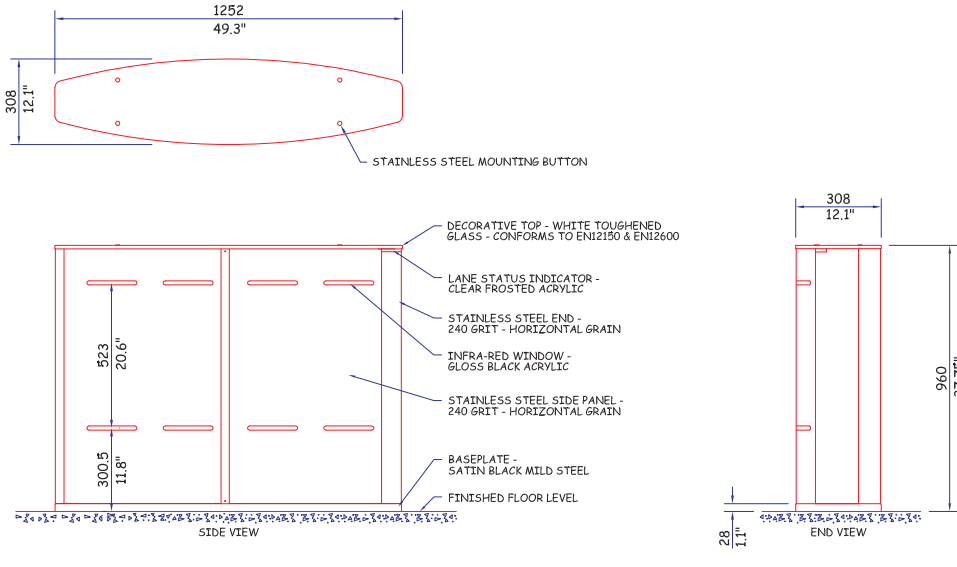


Setting New Standards In Entrance Control



Technical Specifications

Unit Information



Power Requirements:
Mains Power requirement 100- 240Vac 50Hz-60Hz, 120VA
Low Voltage Output to Turnstile: 24 Vdc for Fastlane CPU, current approx 0.25A

Optics:
Optical Turnstile – 24 pulsed multi infra-red beam paths, synchronised for detection.
Environmentally hardened to avoid sunlight interference.

Display:
Tri-colour 'end of lane' LED display

Sounder:
Single Tone Sounder: Card Authorisation
Multi Tone Variable Volume Sounder: Alarm Condition

Inputs:
Require voltage-free contacts (current sense 1mA typical)
Entry Request (NORMALLY OPEN closing for 1 second)
Exit Request (NORMALLY OPEN closing for 1 second)
Visitor Access (NORMALLY OPEN momentary pushbutton)
Fire (Opto-Coupled Input 12-24Vdc @25mA nom)

Outputs:
Voltage free relay contacts rated 0.5A, 28V dc in two Groups for the following functions:

Output to System:
Entry (NORMALLY CLOSED opening for 1 second)
Exit (NORMALLY CLOSED opening for 1 second)
Alarm (NORMALLY CLOSED opening for 1 to 16 seconds)

Flow Control and Alarm Outputs:
Ready for Entry (NORMALLY CLOSED), NORMALLY OPEN, COMMON Poles)
Ready for Exit (NORMALLY CLOSED, NORMALLY OPEN, COMMON Poles)
Remote Alarm (NORMALLY OPEN)

Operating Modes:
•Bi-Directional Card In/Card Out On Demand
•Bi-Directional Card In/Free Exit
•Enter Only/Exit Only
•Lane Closed

Lane width:
Standard: 550-700 mm (19.6-28 inches)
Disabled: 850-1000 mm (33-39 inches)

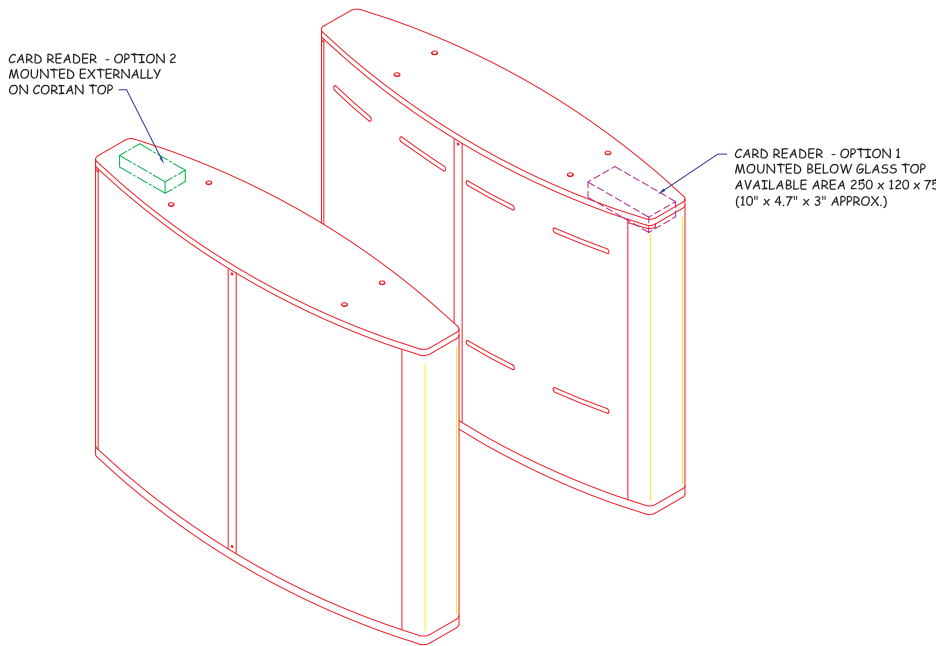
Speed of Throughput:
1 person per second maximum. (Subject to access control system)

Tailgate Detection Distance:
5 mm (0.25 inch) minimum

Turnstile Operation:
As Defined in the Factory Acceptance Test Specification

Pedestal Weight: 75 kgs approx

Card Reader Mounting Options



Disabled Access

Fastlane's combination of audible and visual sounders coupled with 'wheelchair width' lane options make Fastlane compliant with most international disabilities regulations without the need for a separate passgate.

Reliability

Fastlane Elliptical has been designed with easy installation and low maintenance in mind. Fastlane Elliptical can be integrated into any existing access control or building management system and can be used in conjunction with most card and biometric readers. The Elliptical builds on Fastlane's proven track record of over 3000 systems installed worldwide over 15 years.

For further information please contact your local dealer or the manufacturer.

ISSUE DATE 27/07/09

*Subject to speed of users Installation photos may not represent current production models

Accessories and Optional Extras

Fastlane Floor Protector

The Fastlane Floor Protector system is designed for temporary installations and enables Fastlanes to be installed quickly and cost effectively without drilling.

Fastlane Infill System

The Fastlane Infill System is a series of decorative modular panels, which complement the Fastlane range by guiding users in the desired direction.

Fastlane Remote Control

This desk mounted controller is designed to allow the guard to override some of the features of the Fastlanes, facilitate visitor entry and to give a visual indication of alarms at the guard desk.

Card Reader Mounting

A number of alternative card reader mounting options are available.

Alternative material and colour finishes

IDL offers a full design service for custom enclosures, as well as alternative colours and materials.



Manufactured by:
Integrated Design Ltd
Feltham Point
Browells Lane
Feltham
Middlesex
TW13 7EQ, UK

t: +44 (0) 208 890 5550
f: +44 (0) 208 890 2444

e: info@idl.co.uk
w: www.idl.co.uk
w: www.fastlane-turnstiles.com

Specification subject to change without prior notice.