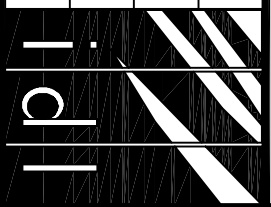
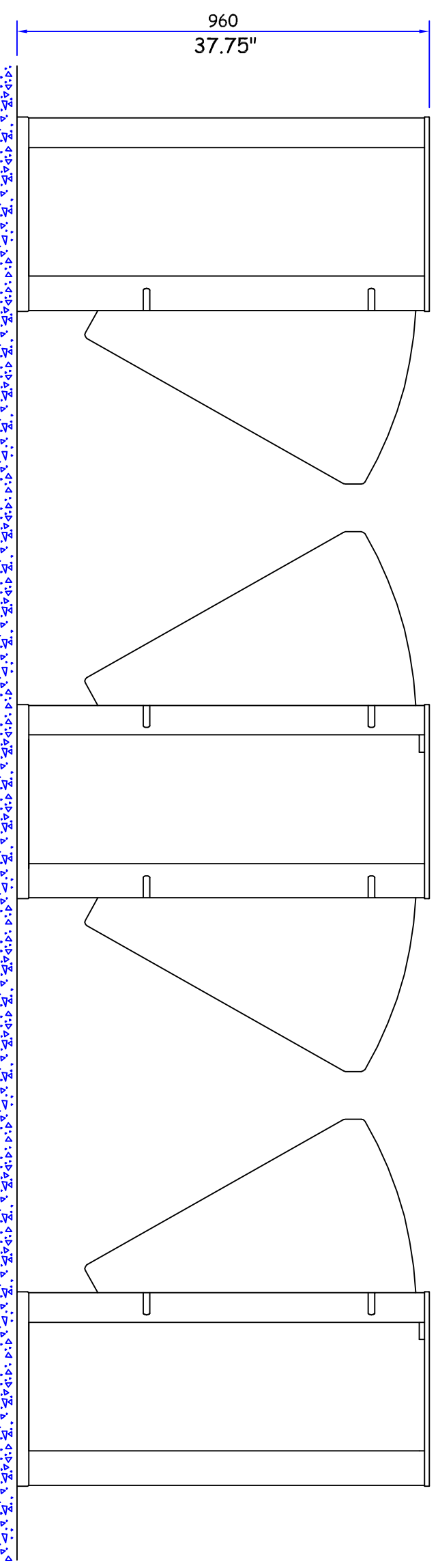
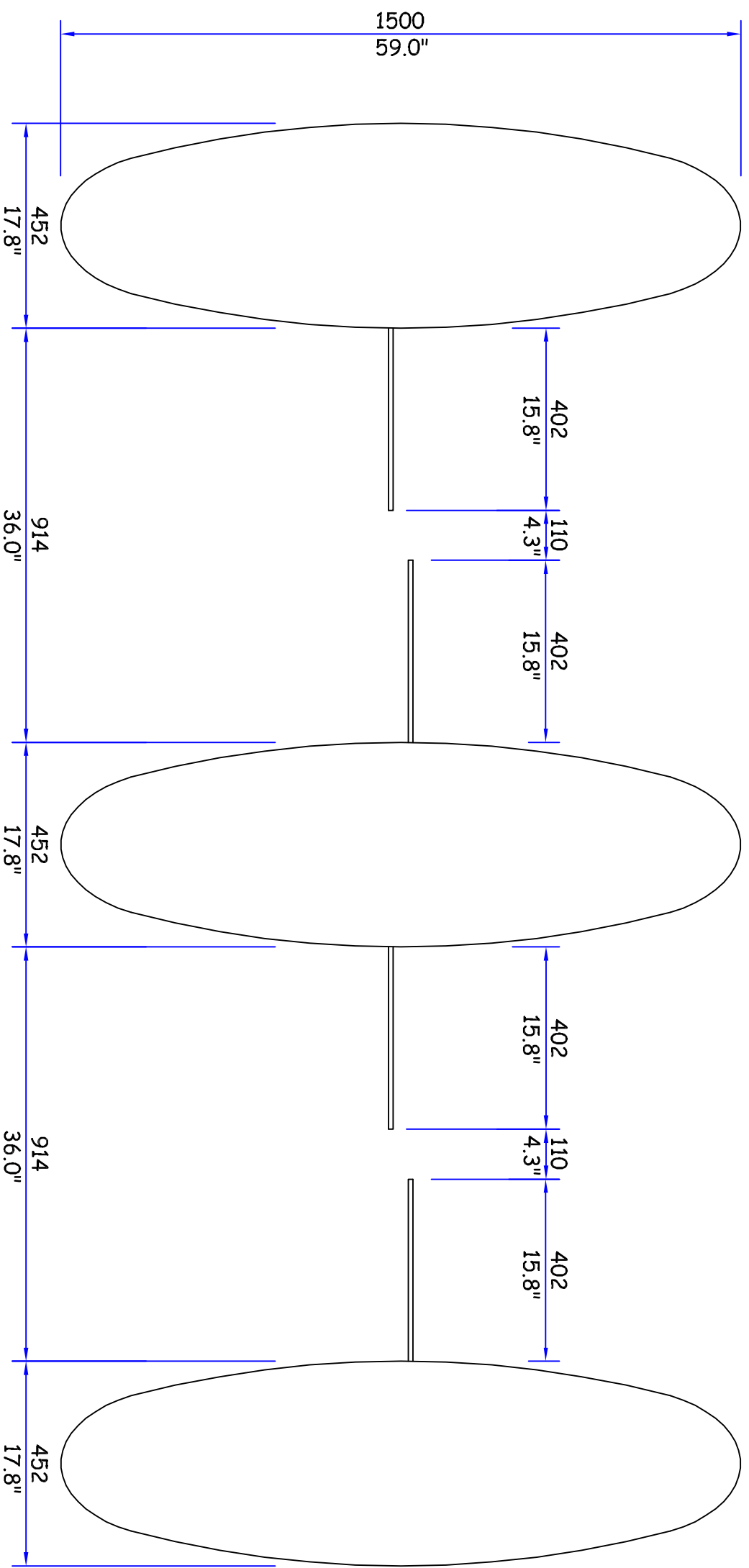


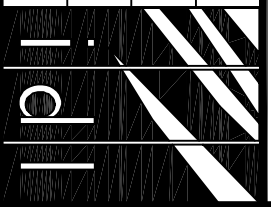
OVERALL FINISHED WEIGHT OF PEDESTAL - TBA

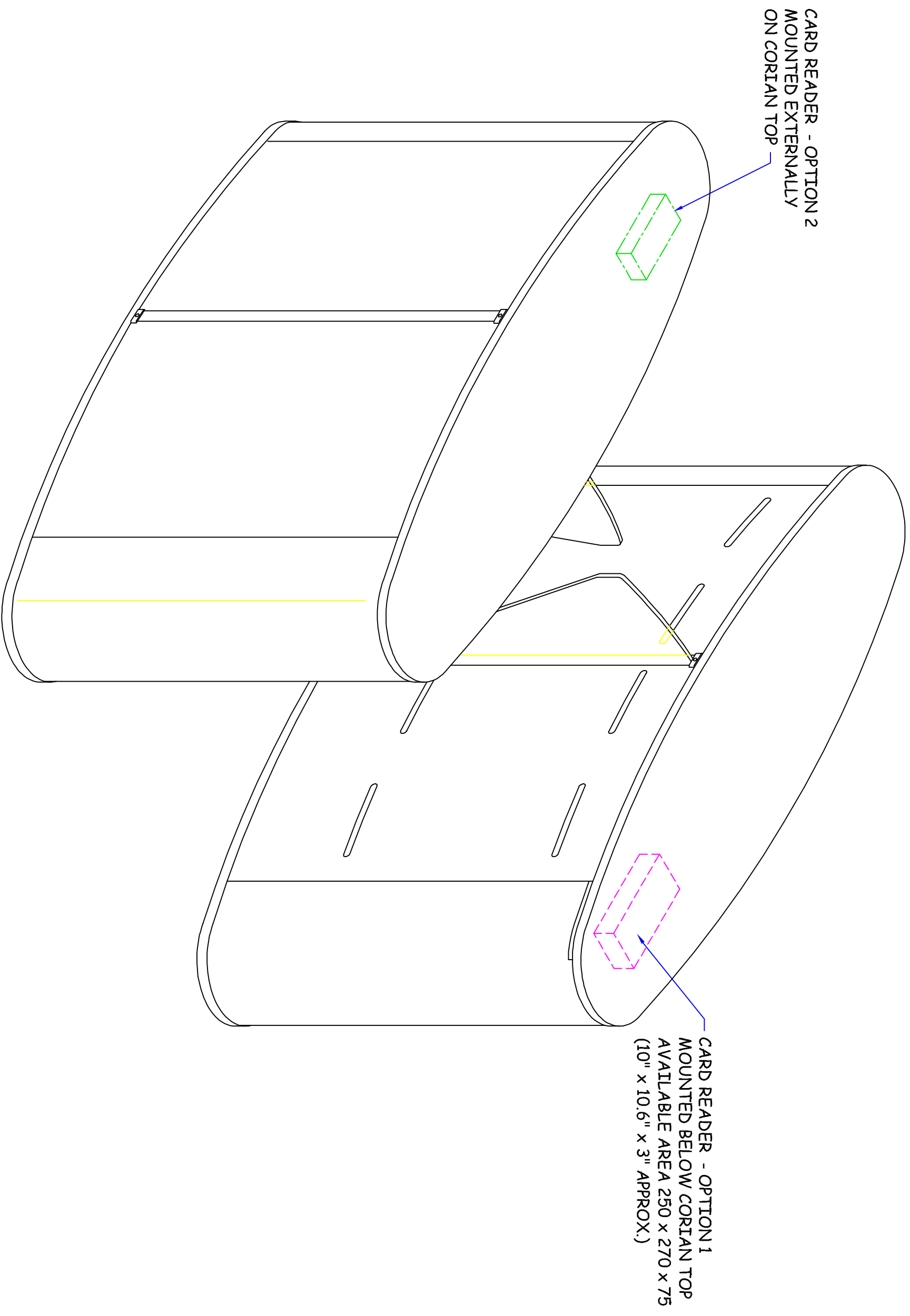
PRODUCT: GLASSWING DDA - ELLIPTICAL	
TITLE: GENERAL DIMENSIONS	
DRAWN: RST	DRAWING No: S665_540_A0
DATE: 27.3.08	This document is the copyright of Integrated Design Ltd





PRODUCT: GLASSWING DDA - ELLIPTICAL	
TITLE: GENERAL LAYOUT	
DRAWN: RST	DRAWING No: S665_541_A0
DATE: 27.3.08	This document is the copyright of Integrated Design Ltd





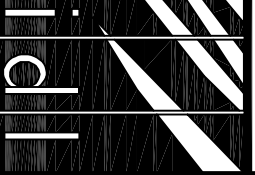
PRODUCT: GLASSWING DDA - ELLIPTICAL

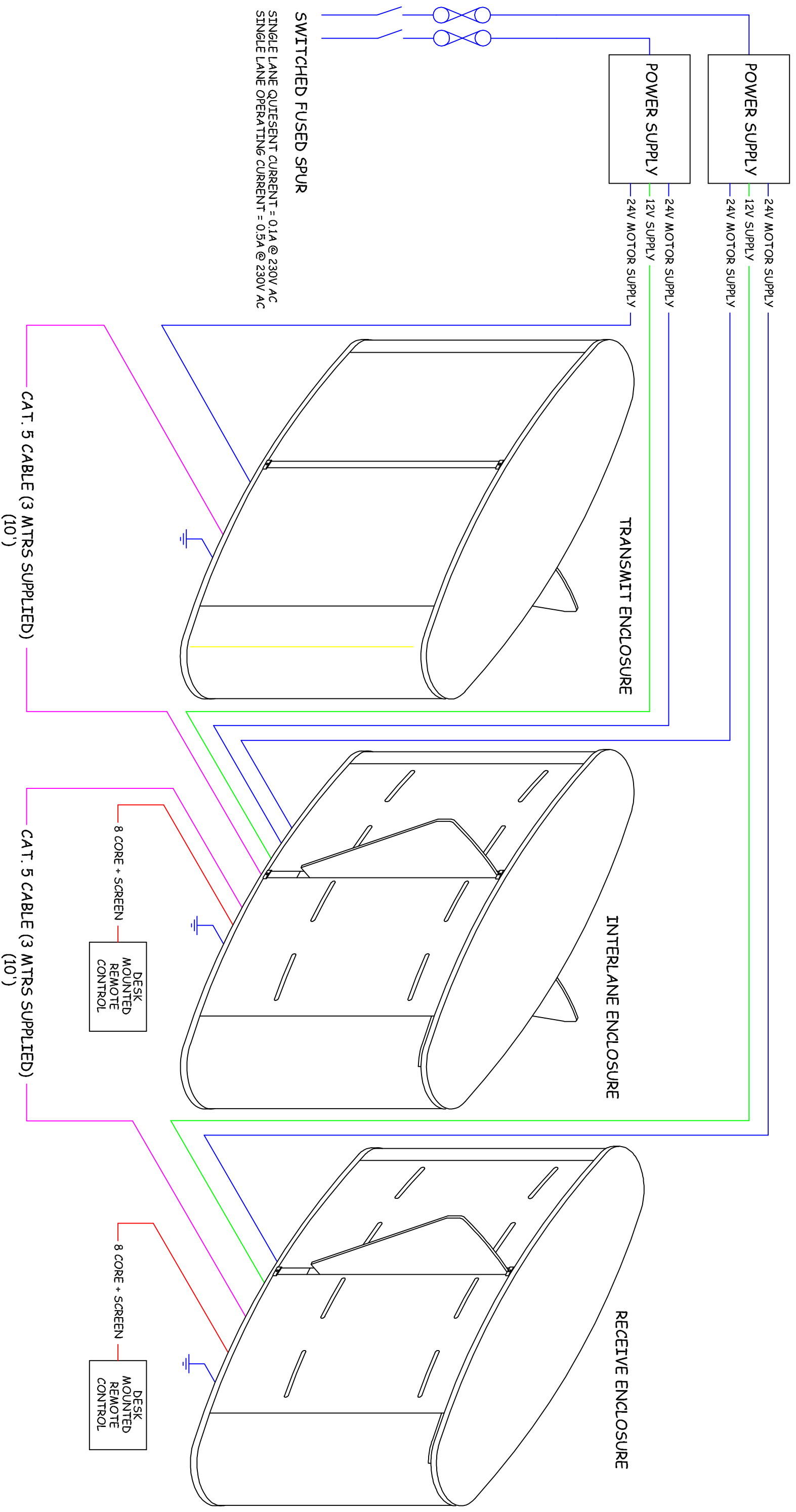
TITLE: CARD READER OPTIONS

DRAWN: RST DRAWING No: 5665_543_A0

DATE: 27.3.08

This document is the copyright of
Integrated Design Ltd

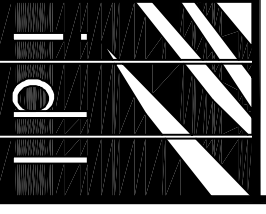


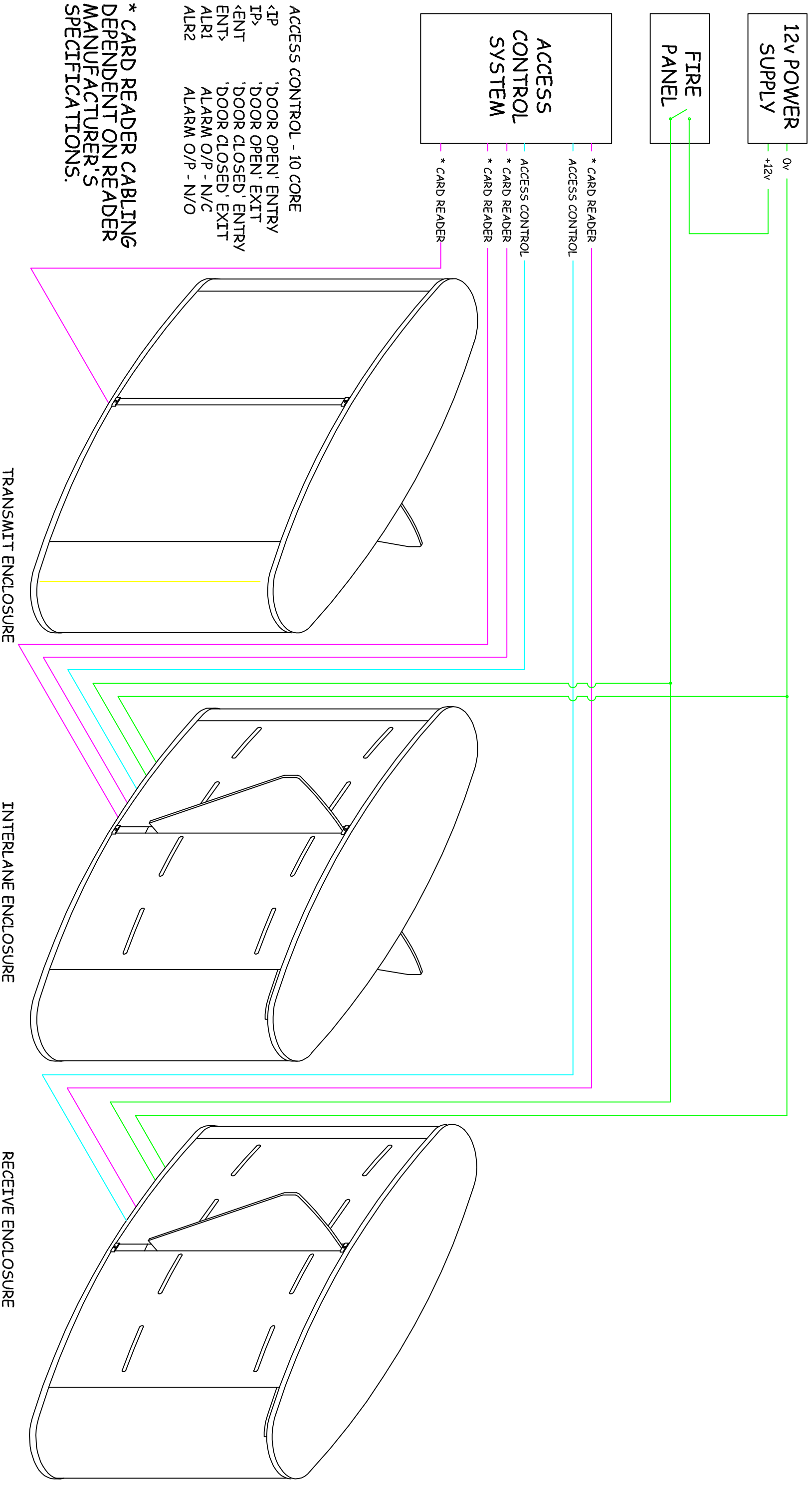


THIS DRAWING SHOWS THE GLASSWING CABLING REQUIREMENTS. IT IS TO BE READ IN CONJUNCTION WITH DRAWING 665_548_A0, WHICH SHOWS THE CABLING REQUIREMENTS FOR THE ACCESS CONTROL INTEGRATION. FOR FURTHER INFORMATION, REFER TO THE INSTALLATION MANUAL.

PRODUCT: GLASSWING DDA - ELLIPTICAL	
TITLE: CABLING REQUIREMENTS	
DRAWN: RST	DRAWING No: 5665_547_A0
DATE: 27.3.08	

This document is the copyright of
Integrated Design Ltd





THIS DRAWING SHOWS THE ACCESS CONTROL INTEGRATION REQUIREMENTS. IT IS TO BE READ IN CONJUNCTION WITH DRAWING 665_547_A0 WHICH SHOWS THE GLASSWING CABLING REQUIREMENTS.

FOR FURTHER INFORMATION, REFER TO THE INSTALLATION MANUAL.

PRODUCT: GLASSWING DDA - ELLIPTICAL	
TITLE: CABLING REQUIREMENTS	
DRAWN: RST	DRAWING No: 5665_548_A0
DATE: 27.3.08	

This document is the copyright of
Integrated Design Ltd

