

PRODUCT: GLASSGATE 250 - ROUND END

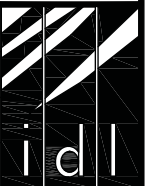
TITLE: GENERAL DIMENSIONS

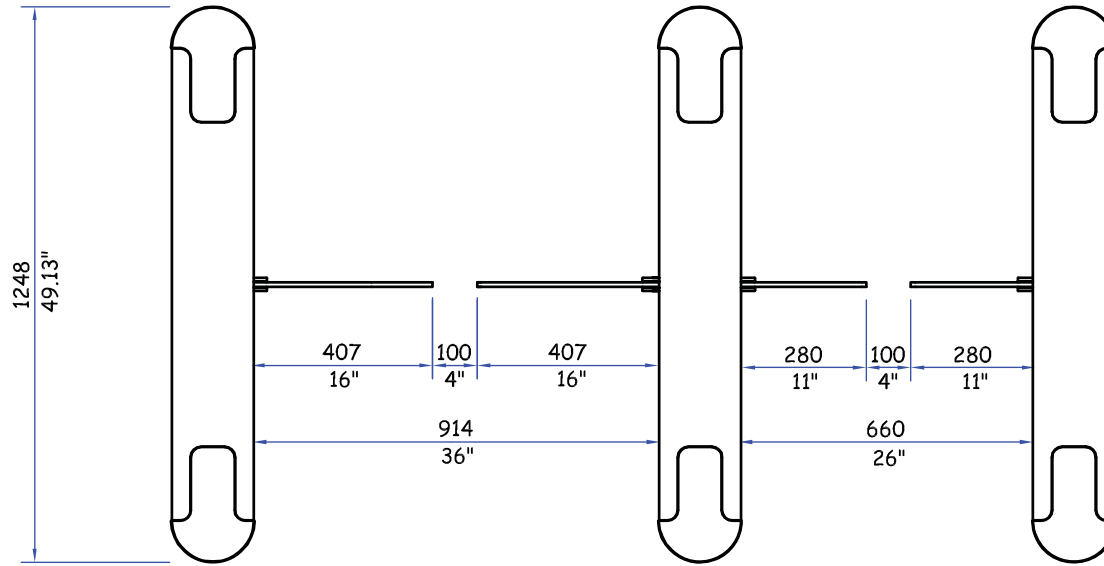
DRAWN: RST

DRAWING No: S665_830_A0

DATE: 22.3.11

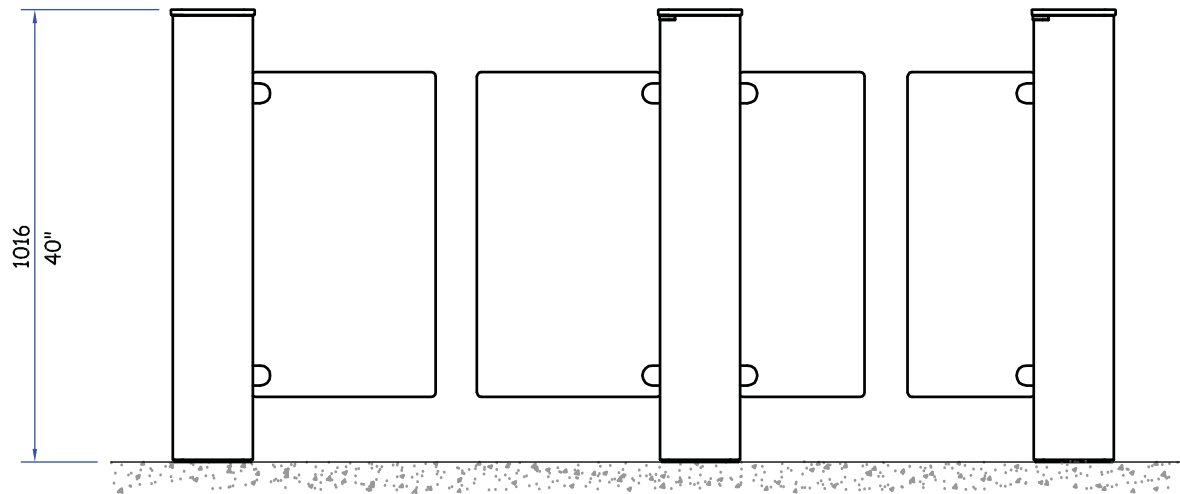
This document is the copyright of
Integrated Design Ltd





EXTENDED LANE WIDTH
DISABLED ACCESS *

STANDARD LANE WIDTH
STANDARD ACCESS



* SUBJECT TO LOCAL LEGISLATION

THIS IS AN UNCONTROLLED DRAWING - PLEASE ENSURE THAT YOU HAVE THE LATEST VERSION BEFORE USE.

PRODUCT: GLASSGATE 250 - ROUND END

TITLE: GENERAL LAYOUT

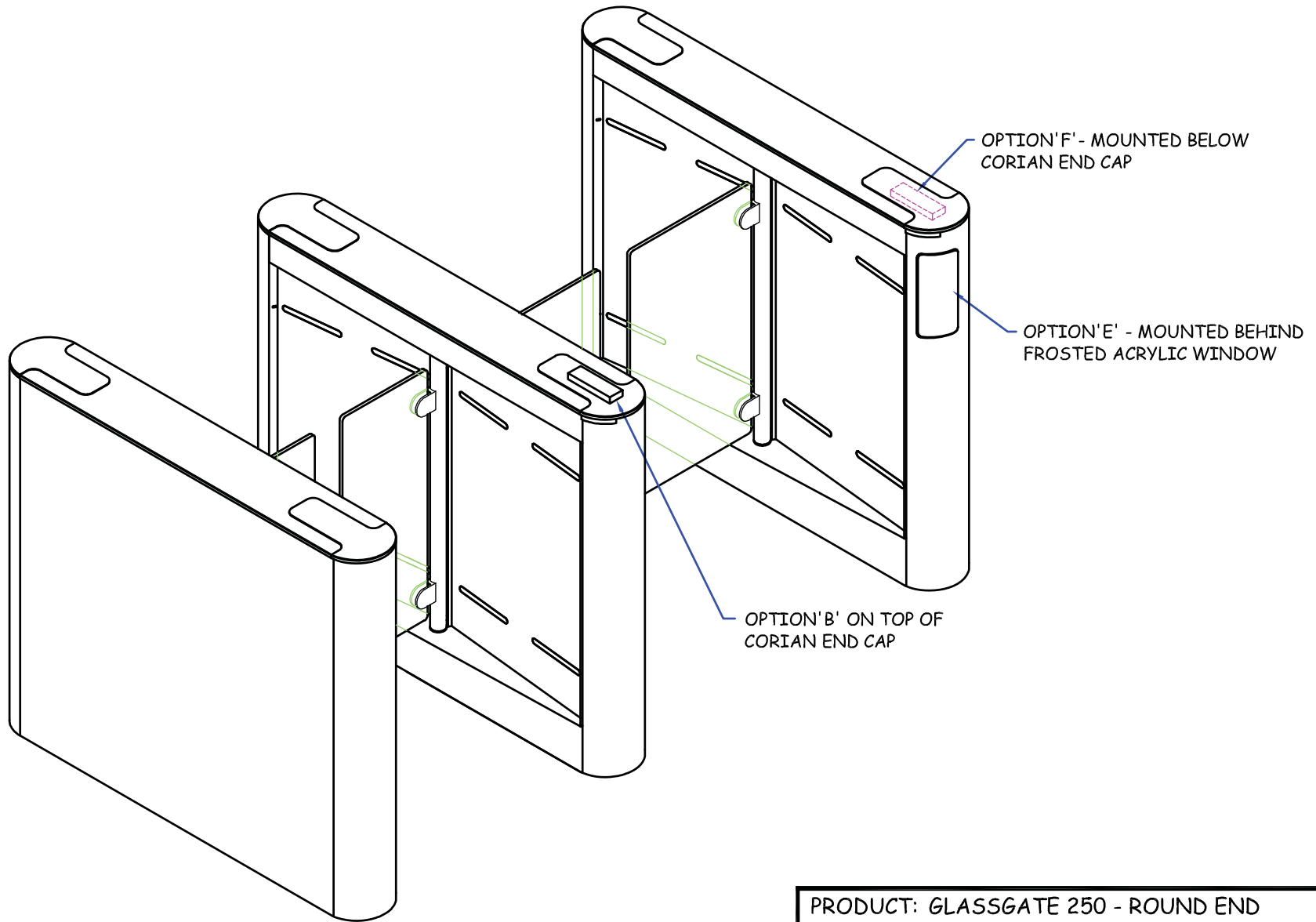
DRAWN: RST

DRAWING No: S665_831_A0

DATE: 22.3.11

This document is the copyright of
Integrated Design Ltd

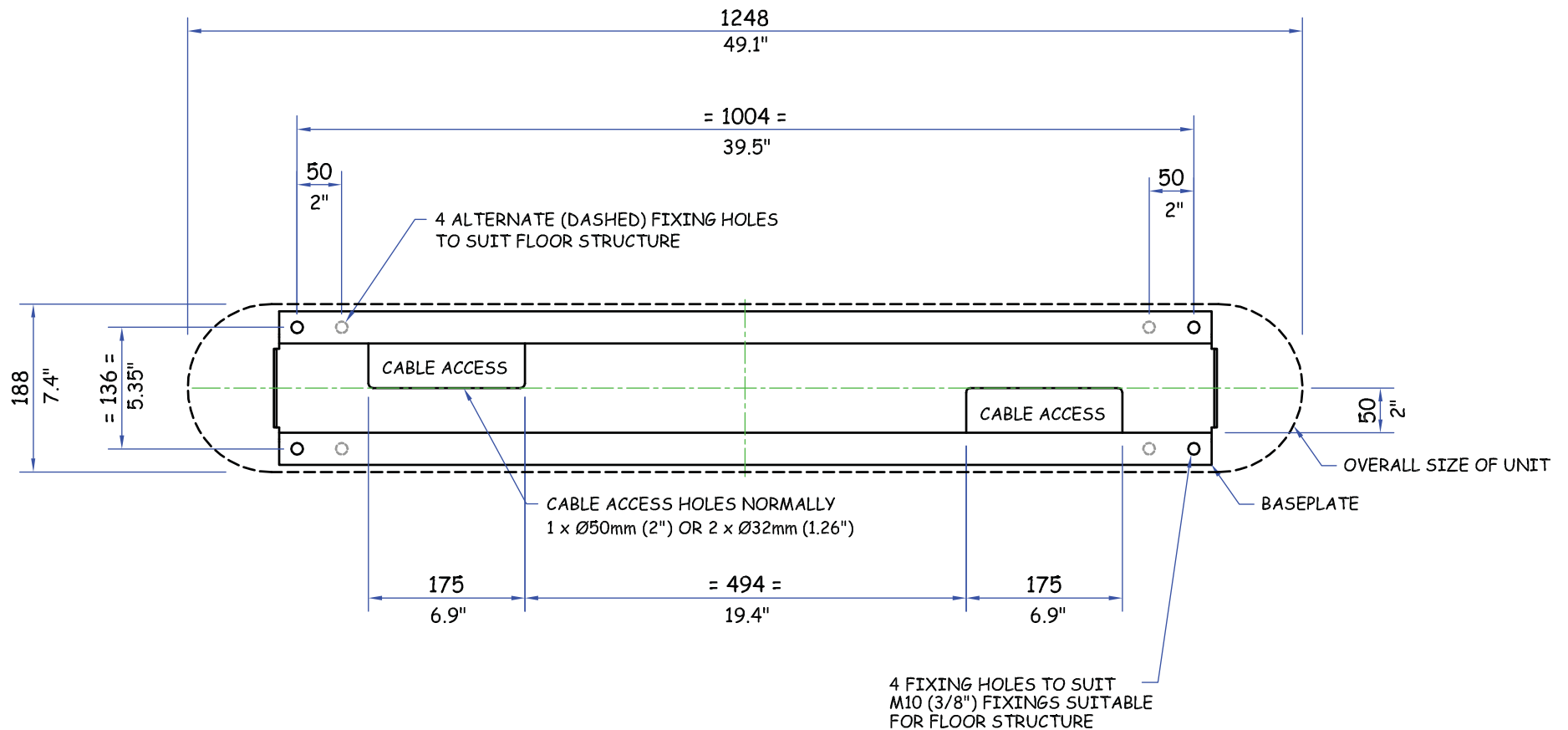





THIS IS AN UNCONTROLLED DRAWING - PLEASE ENSURE THAT YOU HAVE THE LATEST VERSION BEFORE USE

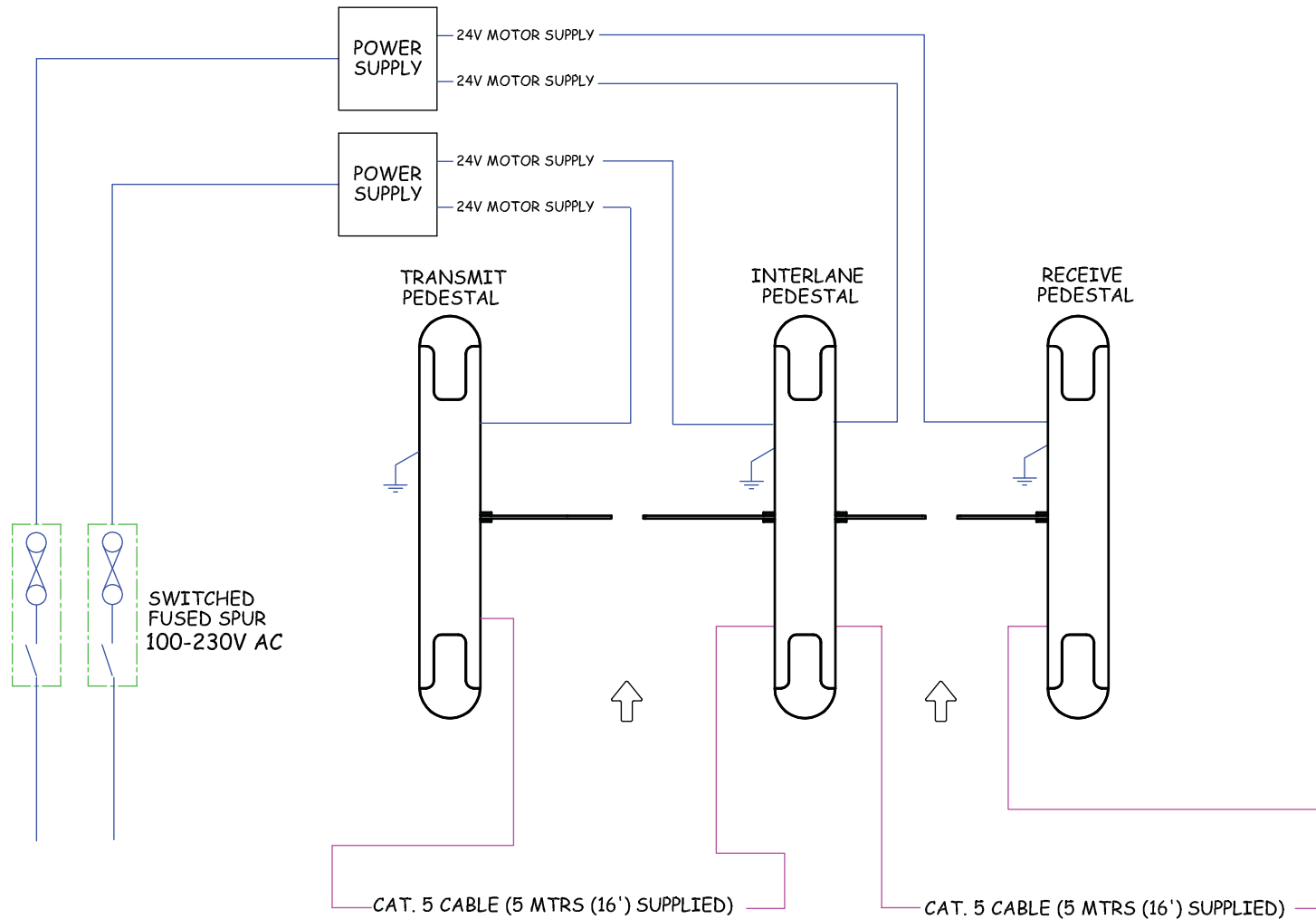
PRODUCT: GLASSGATE 250 - ROUND END	
TITLE: CARD READER LOCATION OPTIONS	
DRAWN: RST	DRAWING No: S665_832_A0
DATE: 22.3.11	This document is the copyright of Integrated Design Ltd






THIS IS AN UNCONTROLLED DRAWING - PLEASE ENSURE THAT YOU HAVE THE LATEST VERSION BEFORE USE

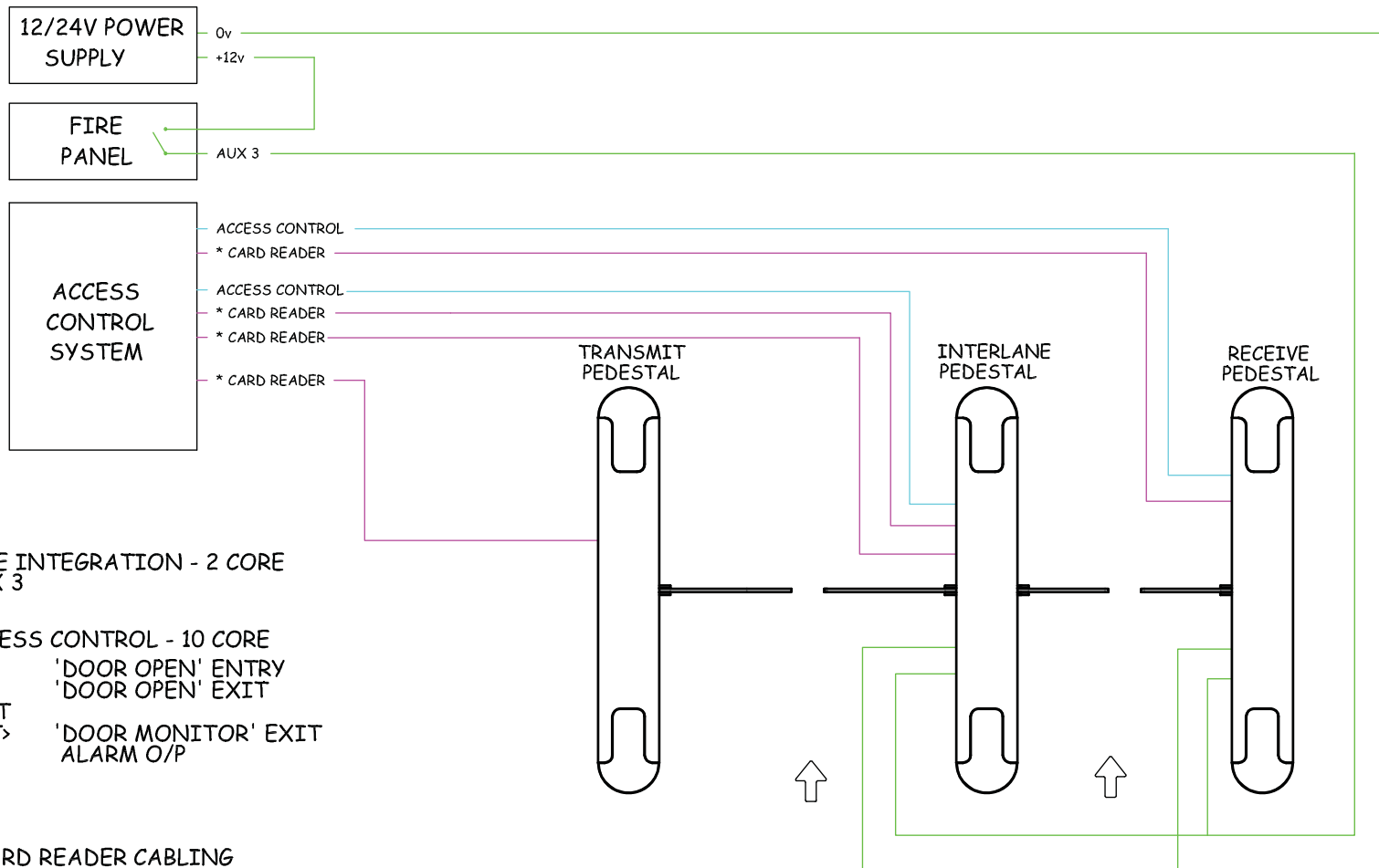
PRODUCT: GLASSGATE 250 - ROUND END		
TITLE: BASE DRILLING DETAILS		
DRAWN: RST	DRAWING No: S665_833_A0	
DATE: 22.3.11	This document is the copyright of Integrated Design Ltd	



THIS DRAWING SHOWS THE GLASSGATE CABLING REQUIREMENTS.
 IT IS TO BE READ IN CONJUNCTION WITH DRAWING S665_835_A0, WHICH
 SHOWS THE CABLING REQUIREMENTS FOR THE ACCESS CONTROL INTEGRATION.
 FOR FURTHER INFORMATION, REFER TO THE INSTALLATION MANUAL.

THIS IS AN UNCONTROLLED DRAWING - PLEASE ENSURE THAT YOU HAVE THE LATEST VERSION BEFORE USE

PRODUCT: GLASSGATE 250 - ROUND END		
TITLE: CABLING REQUIREMENTS		
DRAWN: RST	DRAWING No: S665_834_A0	
DATE: 22.3.11	This document is the copyright of Integrated Design Ltd	




FIRE INTEGRATION - 2 CORE
AUX 3

ACCESS CONTROL - 10 CORE
 <IP 'DOOR OPEN' ENTRY
 IP> 'DOOR OPEN' EXIT
 <ENT
 ENT> 'DOOR MONITOR' EXIT
 ALR ALARM O/P

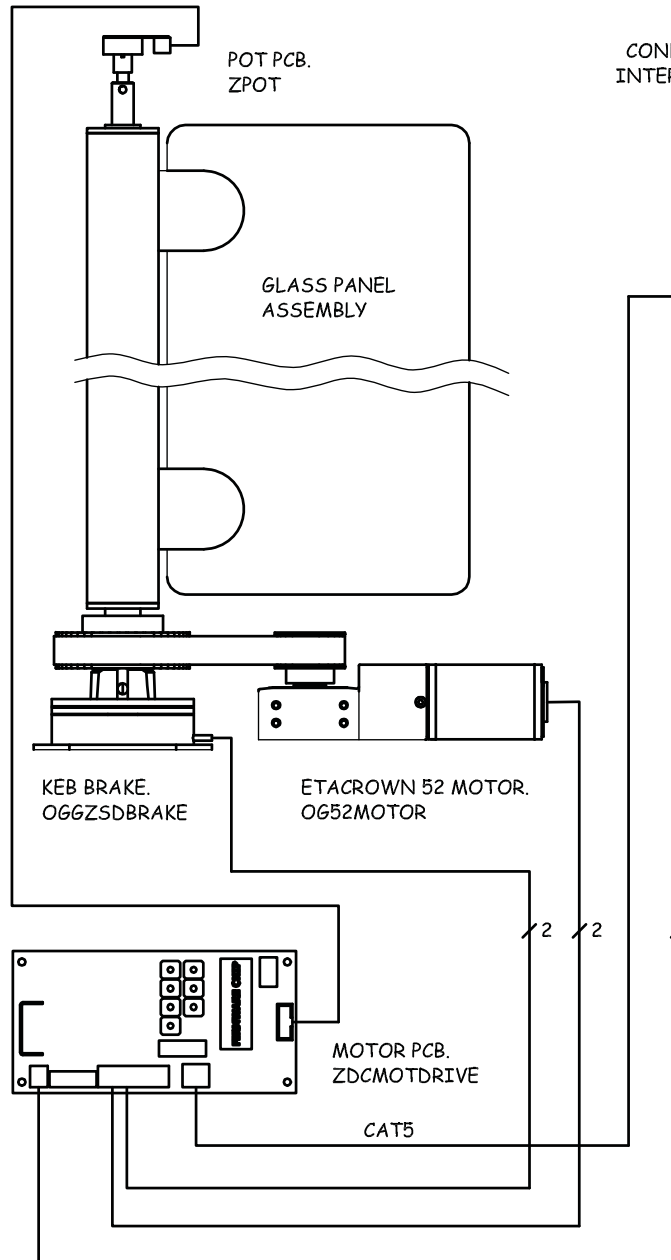
* CARD READER CABLING
 DEPENDENT ON READER
 MANUFACTURER'S
 SPECIFICATIONS.

THIS IS AN UNCONTROLLED DRAWING - PLEASE ENSURE THAT YOU HAVE THE LATEST VERSION BEFORE USE.

THIS DRAWING SHOWS THE ACCESS CONTROL INTEGRATION REQUIREMENTS.
 IT IS TO BE READ IN CONJUNCTION WITH DRAWING 665_834_A0
 WHICH SHOWS THE GLASSGATE CABLING REQUIREMENTS.
 FOR FURTHER INFORMATION, REFER TO THE INSTALLATION MANUAL.

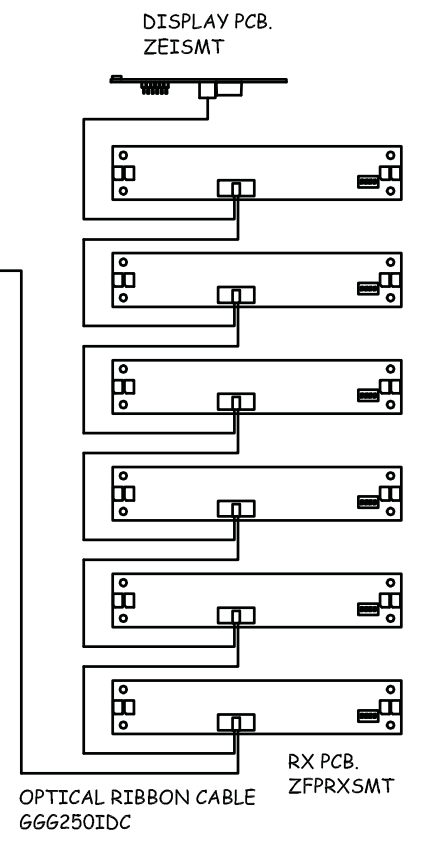
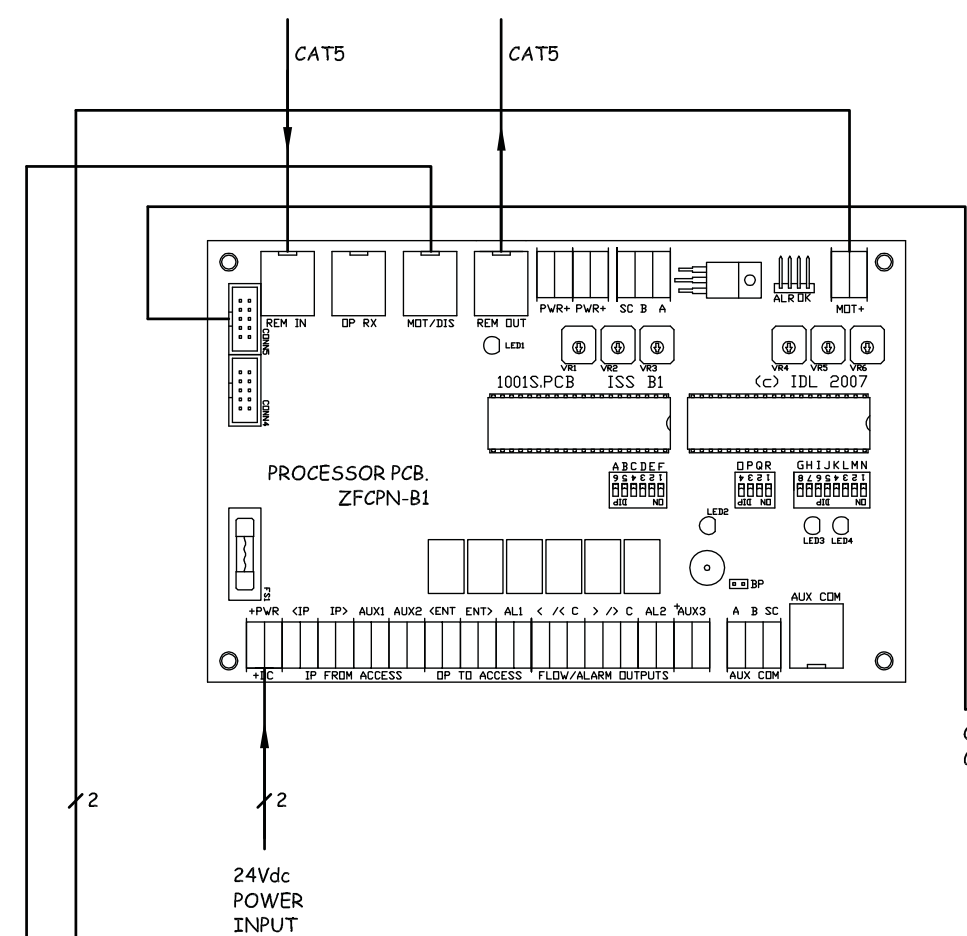
PRODUCT: GLASSGATE 250 - ROUND END		
TITLE: CABLING REQUIREMENTS		
DRAWN: RST	DRAWING No: S665_835_A0	
DATE: 22.3.11	This document is the copyright of Integrated Design Ltd	

POT RIBBON CABLE
GGG250POT



"REM IN":
USED FOR INTERLANE.
CONNECTS FROM "REM OUT" ON
INTERFACE CARD ON TX SIDE OF
SAME PEDESTAL.

"REM OUT":
ALWAYS USED.
CONNECTS TO "REM IN" ON
INTERFACE CARD ON TX SIDE
OF SAME LANE.



PRODUCT: GLASSGATE 250 - ROUND END	
TITLE: RX ELECTRONICS SCHEMATIC	
DRAWN: RST	DRAWING No: S665_836_A0
DATE: 22.3.11	This document is the copyright of Integrated Design Ltd

