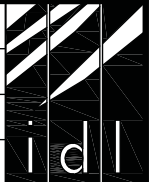
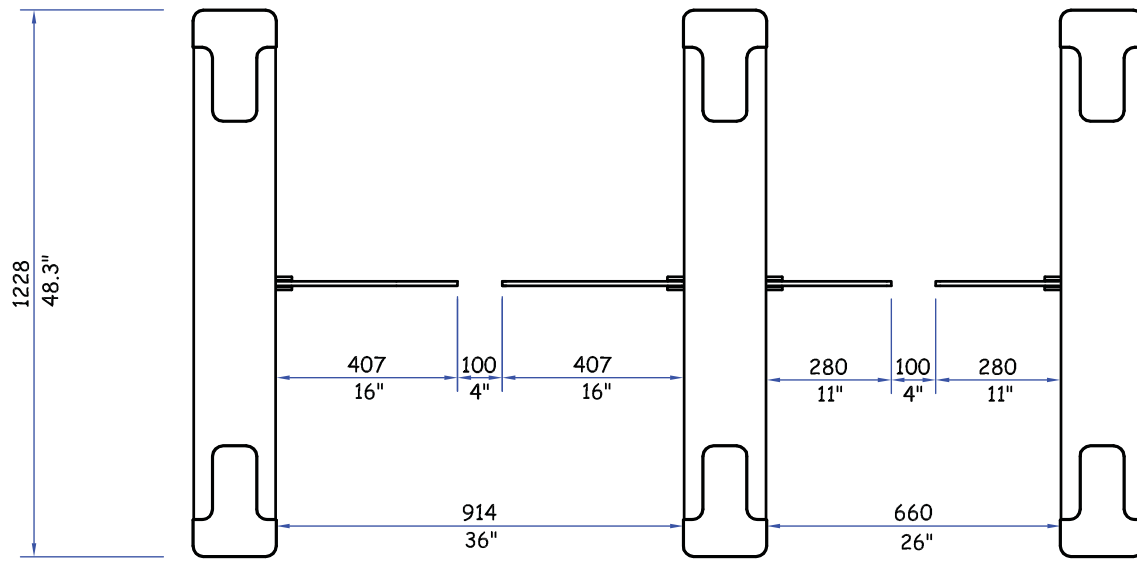


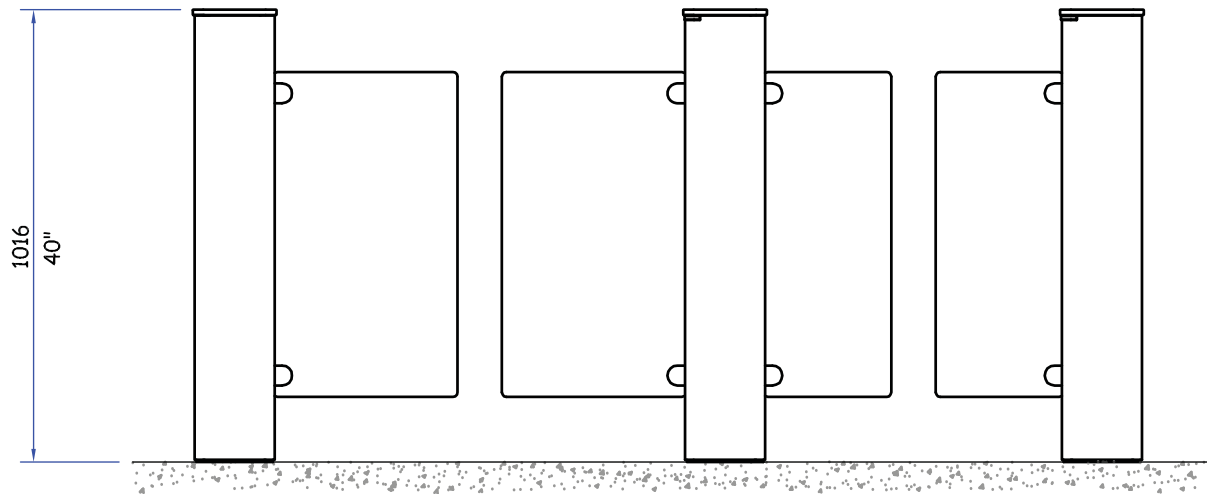
PRODUCT: GLASSGATE 250	
TITLE: GENERAL DIMENSIONS	
DRAWN: JGL	DRAWING No: S665_730_A2
DATE: 2.2.10	This document is the copyright of Integrated Design Ltd






EXTENDED LANE WIDTH
DISABLED ACCESS *

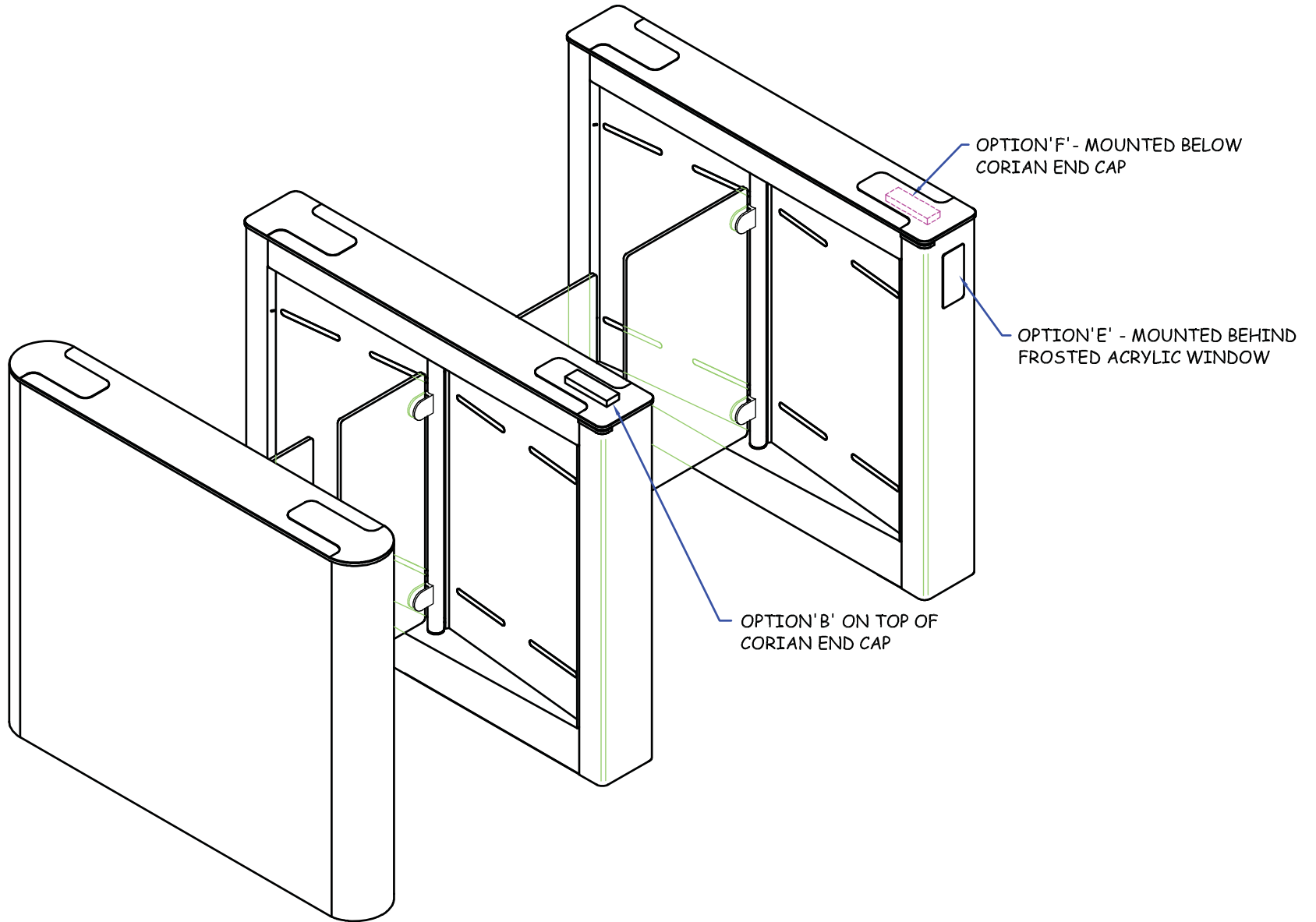
STANDARD LANE WIDTH
STANDARD ACCESS



* SUBJECT TO LOCAL LEGISLATION

THIS IS AN UNCONTROLLED DRAWING - PLEASE ENSURE THAT YOU HAVE THE LATEST VERSION BEFORE USE.

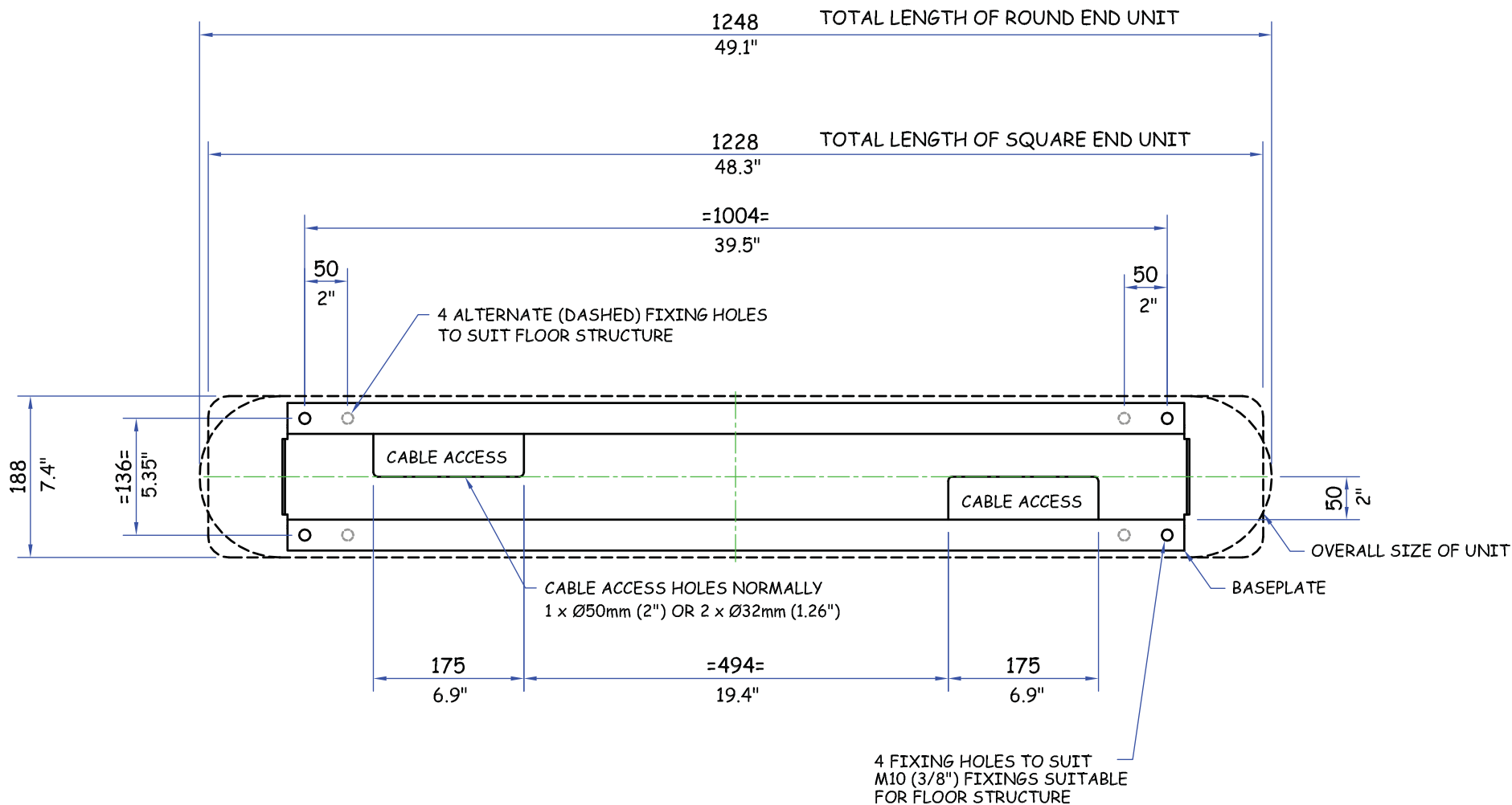
PRODUCT: GLASSGATE 250		
TITLE: GENERAL LAYOUT		
DRAWN: JGL	DRAWING No: S665_731_A2	
DATE: 2.2.10	This document is the copyright of Integrated Design Ltd	



THIS IS AN UNCONTROLLED DRAWING - PLEASE ENSURE THAT YOU HAVE THE LATEST VERSION BEFORE USE

PRODUCT: GLASSGATE 250	
TITLE: CARD READER LOCATION OPTIONS	
DRAWN: JGL	DRAWING No: S665_732_A2
DATE: 2.2.10	This document is the copyright of Integrated Design Ltd

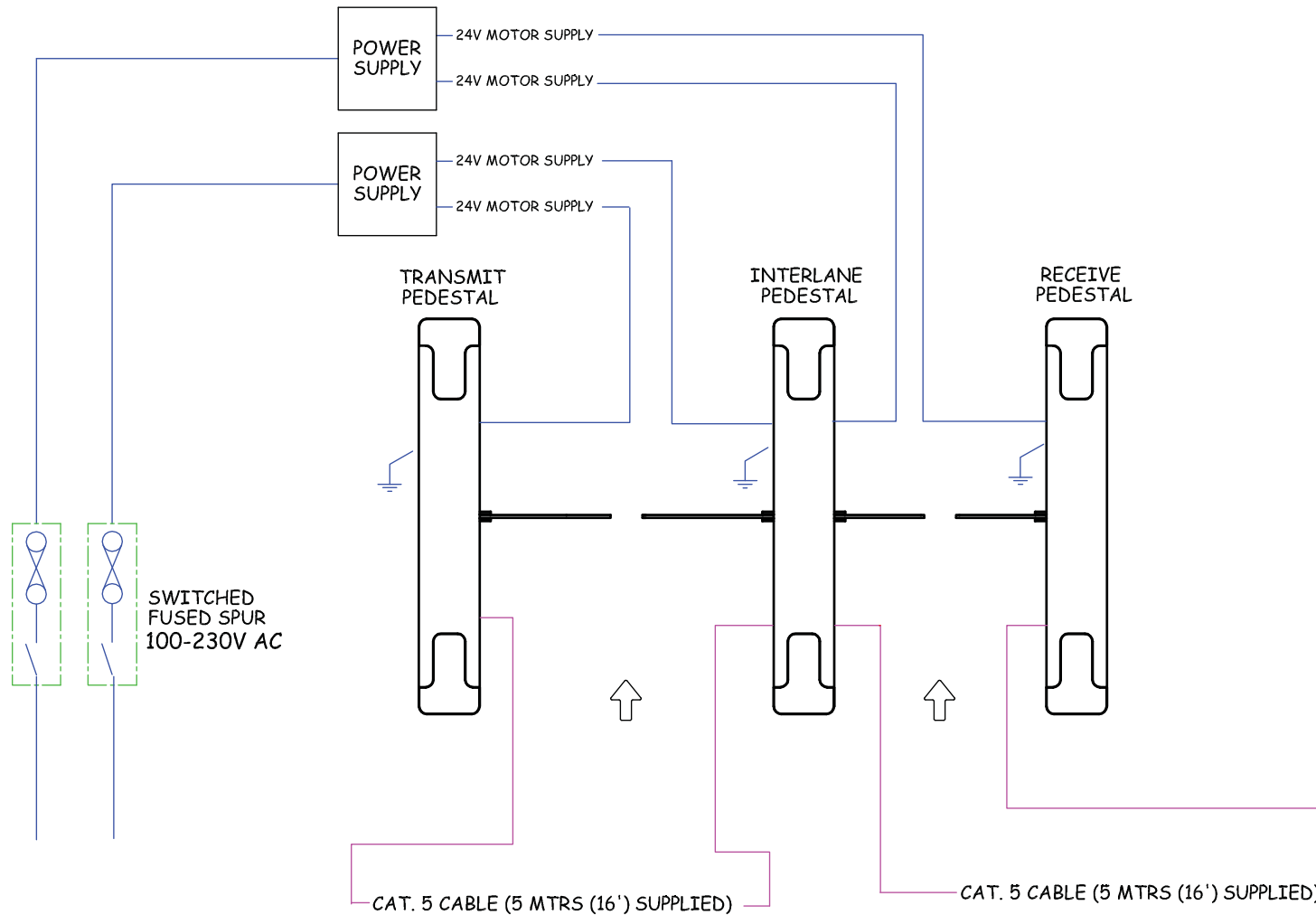




PLEASE NOTE THAT THE ROUND ENDED UNIT IS 20mm (0.8") LONGER.
THIS IS AN UNCONTROLLED DRAWING - PLEASE ENSURE THAT YOU HAVE THE LATEST VERSION BEFORE USE

PRODUCT: GLASSGATE 250	
TITLE: BASE DRILLING DETAILS	
DRAWN: JGL	DRAWING No: S665_733_A2
DATE: 2.2.10	This document is the copyright of Integrated Design Ltd

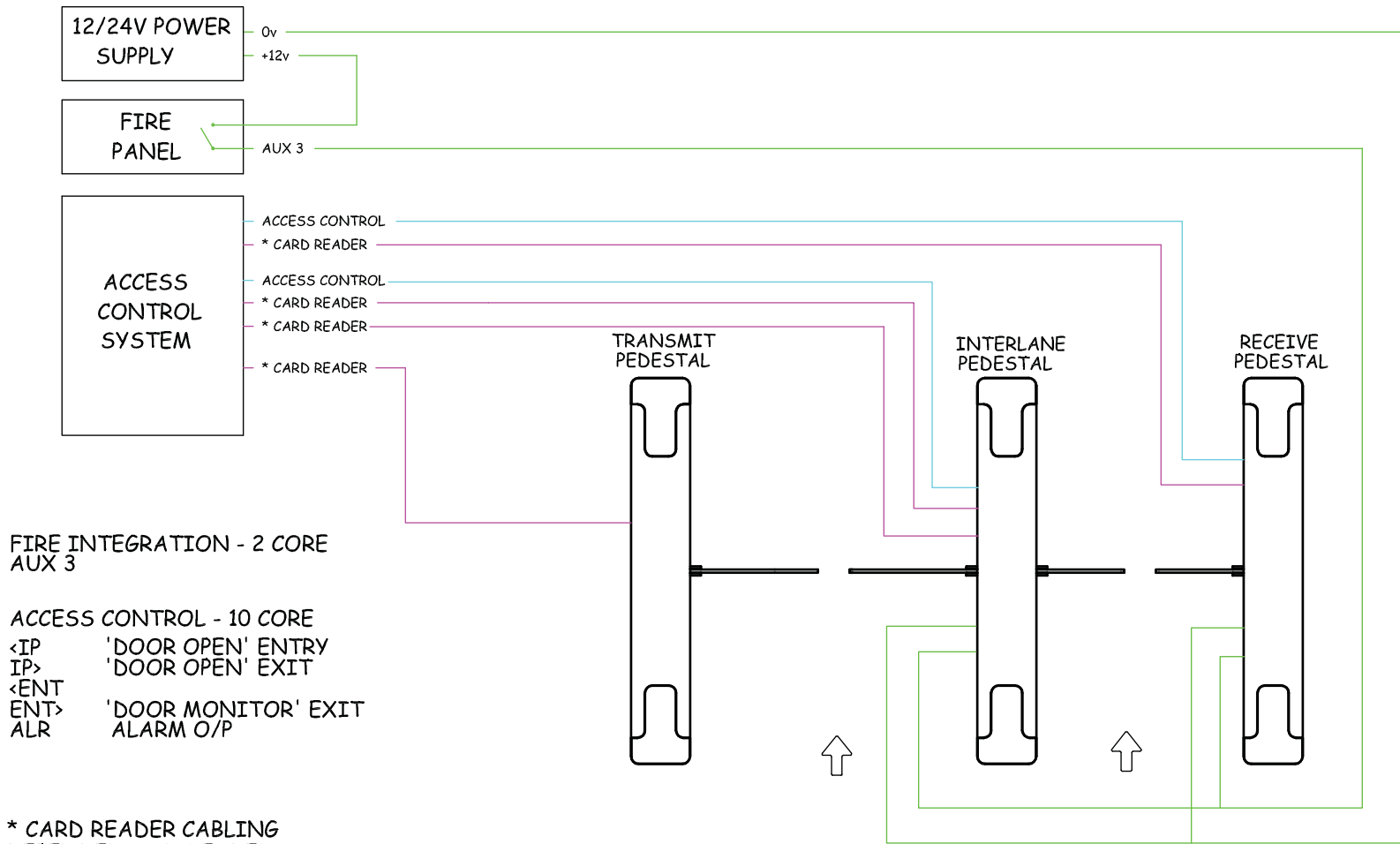




THIS DRAWING SHOWS THE GLASSGATE CABLING REQUIREMENTS.
 IT IS TO BE READ IN CONJUNCTION WITH DRAWING S665_735_A1, WHICH
 SHOWS THE CABLING REQUIREMENTS FOR THE ACCESS CONTROL INTEGRATION.
 FOR FURTHER INFORMATION, REFER TO THE INSTALLATION MANUAL.

THIS IS AN UNCONTROLLED DRAWING - PLEASE ENSURE THAT YOU HAVE THE LATEST VERSION BEFORE USE

PRODUCT: GLASSGATE 250		
TITLE: CABLING REQUIREMENTS		
DRAWN: JGL	DRAWING No: S665_734_A1	
DATE: 2.2.10	This document is the copyright of Integrated Design Ltd	



FIRE INTEGRATION - 2 CORE
AUX 3

ACCESS CONTROL - 10 CORE
 <IP 'DOOR OPEN' ENTRY
 IP> 'DOOR OPEN' EXIT
 <ENT
 ENT> 'DOOR MONITOR' EXIT
 ALR ALARM O/P

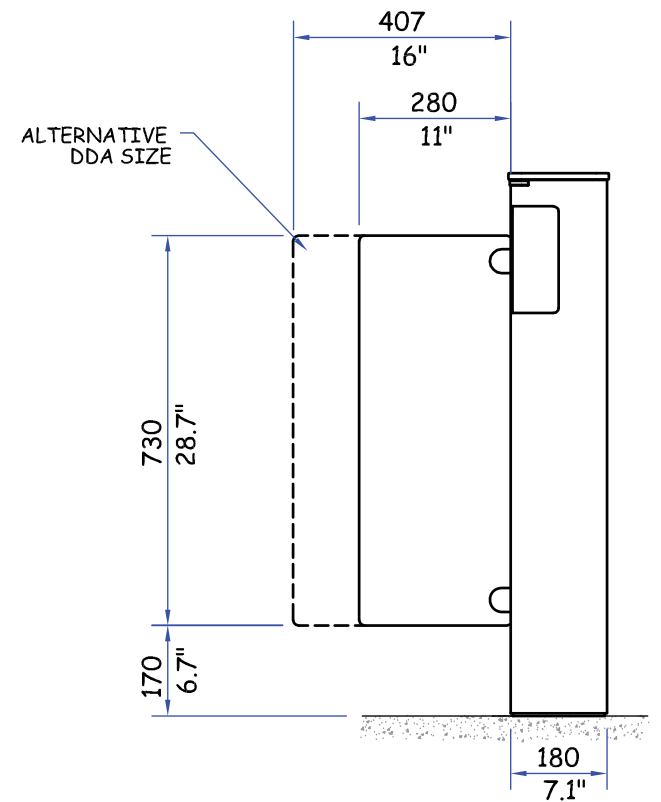
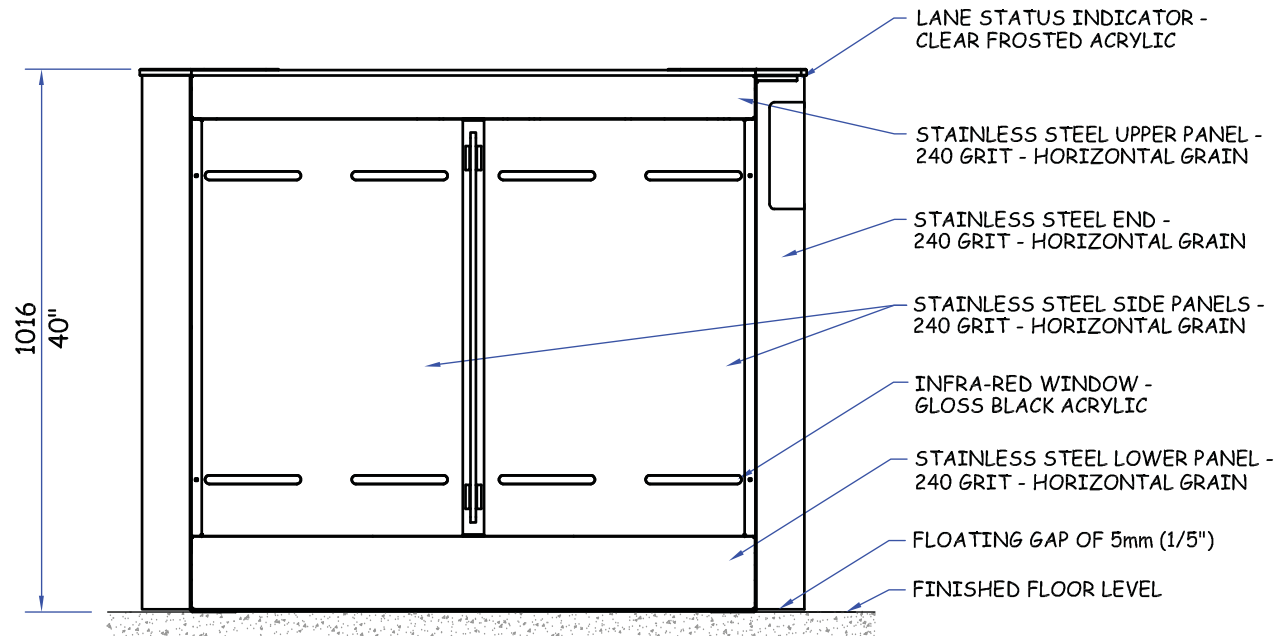
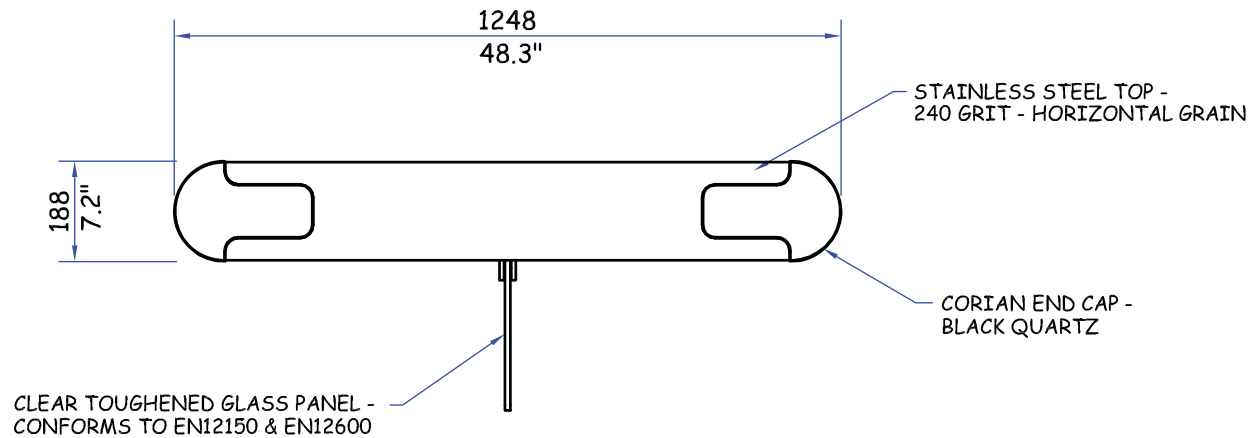
* CARD READER CABLING
 DEPENDENT ON READER
 MANUFACTURER'S
 SPECIFICATIONS.

THIS IS AN UNCONTROLLED DRAWING - PLEASE ENSURE THAT YOU HAVE THE LATEST VERSION BEFORE USE.

THIS DRAWING SHOWS THE ACCESS CONTROL INTEGRATION REQUIREMENTS.
 IT IS TO BE READ IN CONJUNCTION WITH DRAWING 665_734_A1
 WHICH SHOWS THE GLASSGATE CABLING REQUIREMENTS.
 FOR FURTHER INFORMATION, REFER TO THE INSTALLATION MANUAL.

PRODUCT: GLASSGATE 250	
TITLE: CABLING REQUIREMENTS	
DRAWN: JGL	DRAWING No: S665_735_A1
DATE: 2.2.10	This document is the copyright of Integrated Design Ltd





PRODUCT: GLASSGATE 250

TITLE: R-END OPTION - GENERAL DIMENSIONS

DRAWN: DSC

DRAWING No: S665_738_A0

DATE: 25.5.10

This document is the copyright of
Integrated Design Ltd

