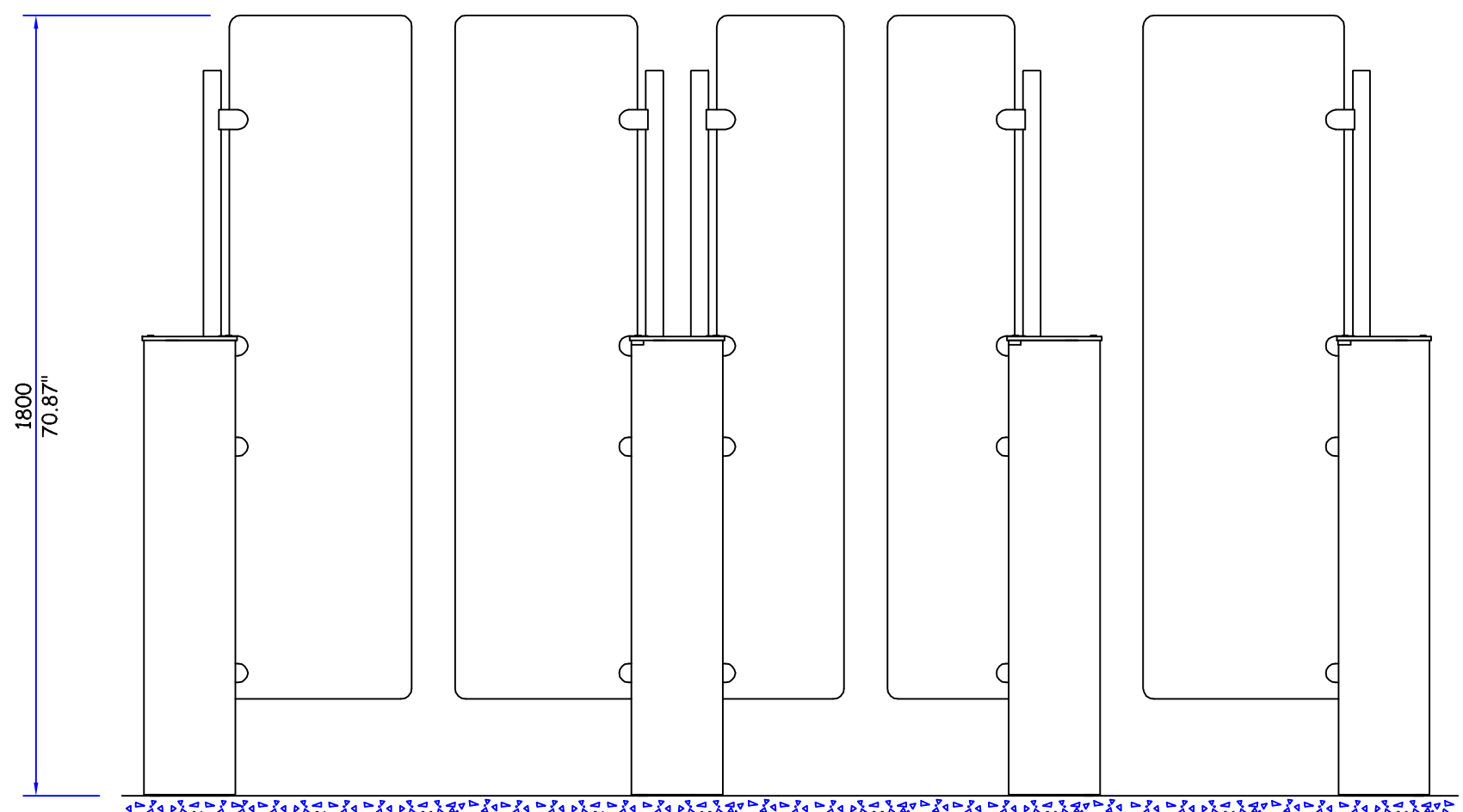
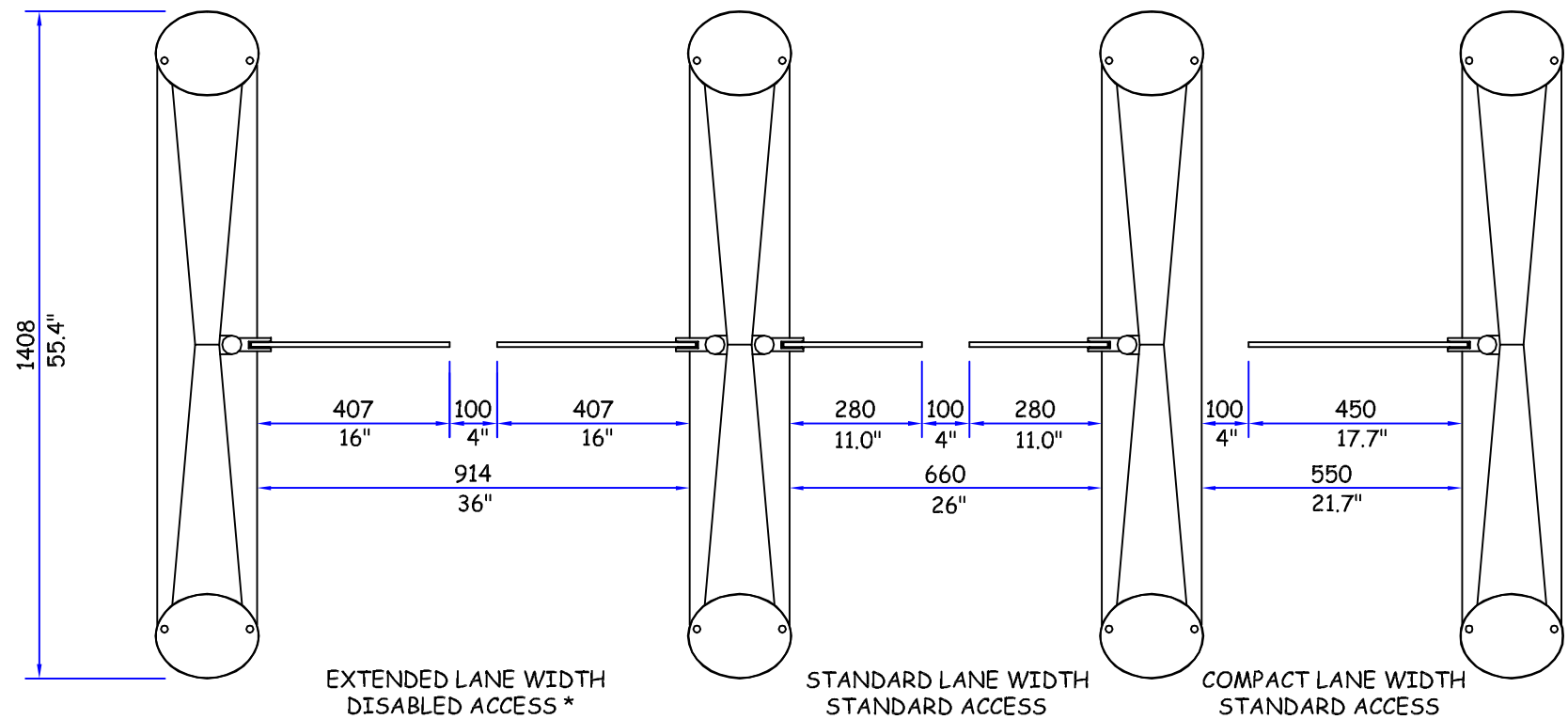


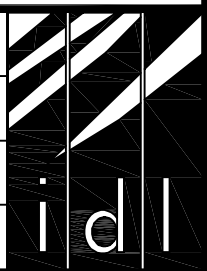
THIS IS AN UNCONTROLLED DRAWING - PLEASE ENSURE THAT YOU HAVE THE LATEST VERSION BEFORE USE.

PRODUCT: GLASSGATE 400/E - FULL HEIGHT		
TITLE: GENERAL DIMENSIONS		
DRAWN: RST	DRAWING No: S665_620_A1	
DATE: 17.10.08	This document is the copyright of Integrated Design Ltd	

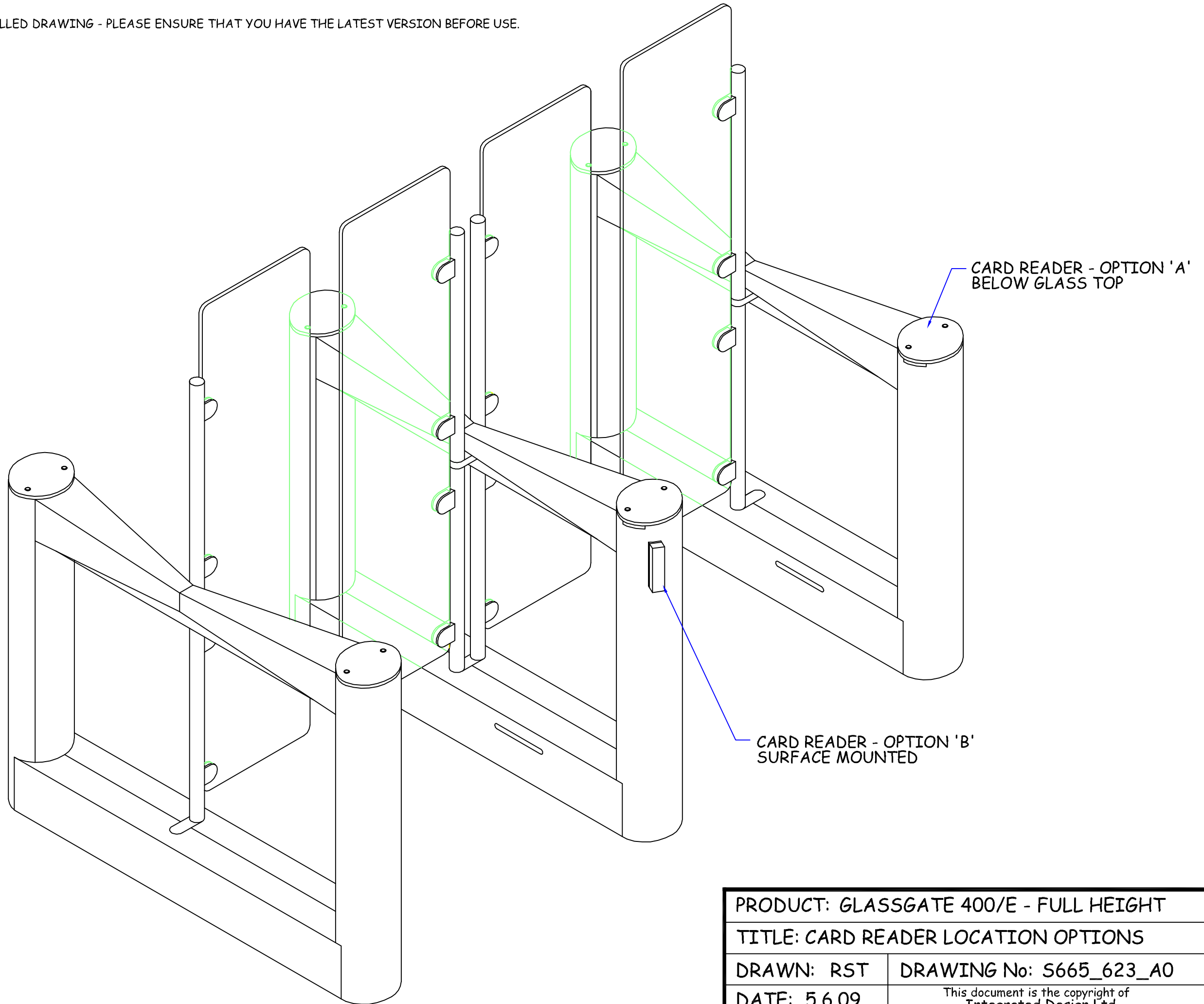


* SUBJECT TO LOCAL LEGISLATION
THIS IS AN UNCONTROLLED DRAWING - PLEASE ENSURE THAT YOU HAVE THE LATEST VERSION BEFORE USE.

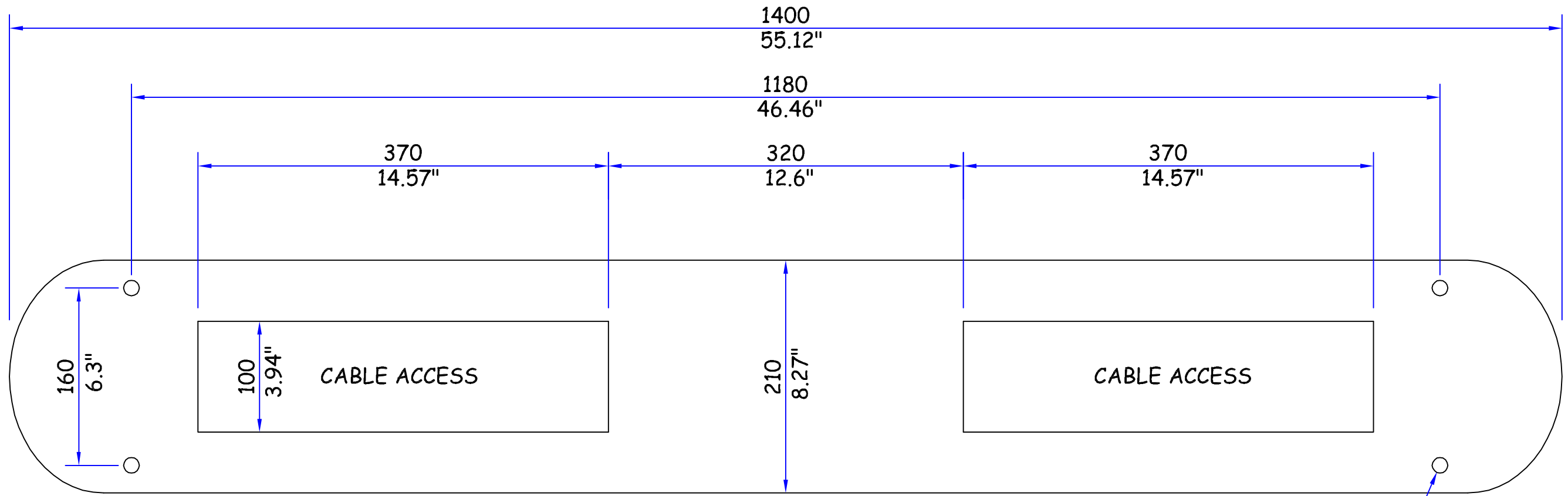
PRODUCT: GLASSGATE 400/E - FULL HEIGHT	
TITLE: GENERAL LAYOUT	
DRAWN: RST	DRAWING No: S665_621_A1
DATE: 17.10.08	This document is the copyright of Integrated Design Ltd



THIS IS AN UNCONTROLLED DRAWING - PLEASE ENSURE THAT YOU HAVE THE LATEST VERSION BEFORE USE.



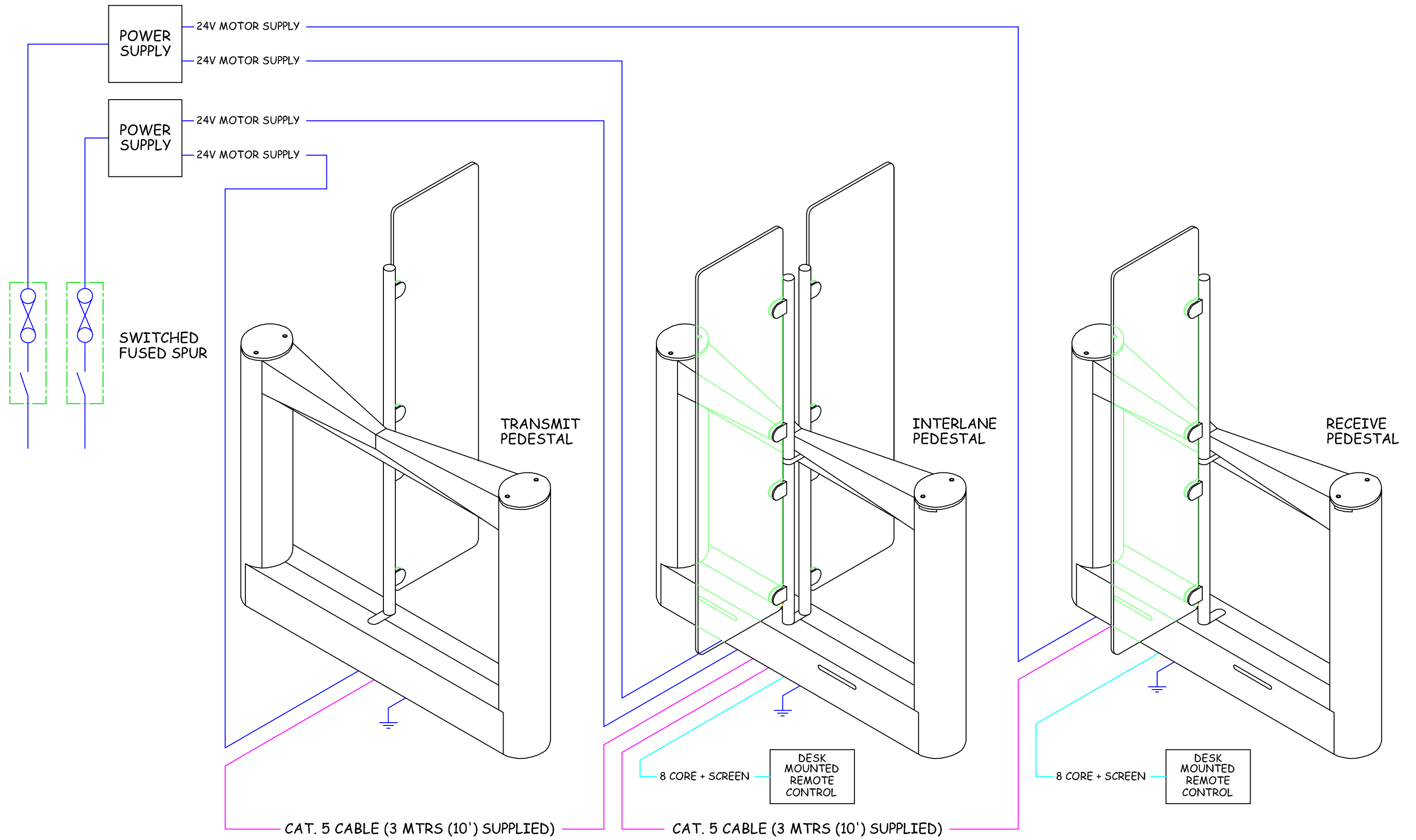
PRODUCT: GLASSGATE 400/E - FULL HEIGHT		
TITLE: CARD READER LOCATION OPTIONS		
DRAWN: RST	DRAWING No: S665_623_A0	
DATE: 5.6.09	This document is the copyright of Integrated Design Ltd	



4 FIXING HOLES 14 DIA (0.55")
 FOR M10 (3/8") FIXINGS SUITABLE
 FOR FLOOR STRUCTURE

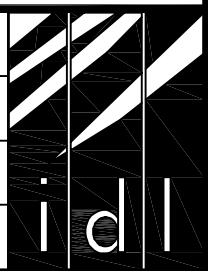
THIS IS AN UNCONTROLLED DRAWING - PLEASE ENSURE THAT YOU HAVE THE LATEST VERSION BEFORE USE.

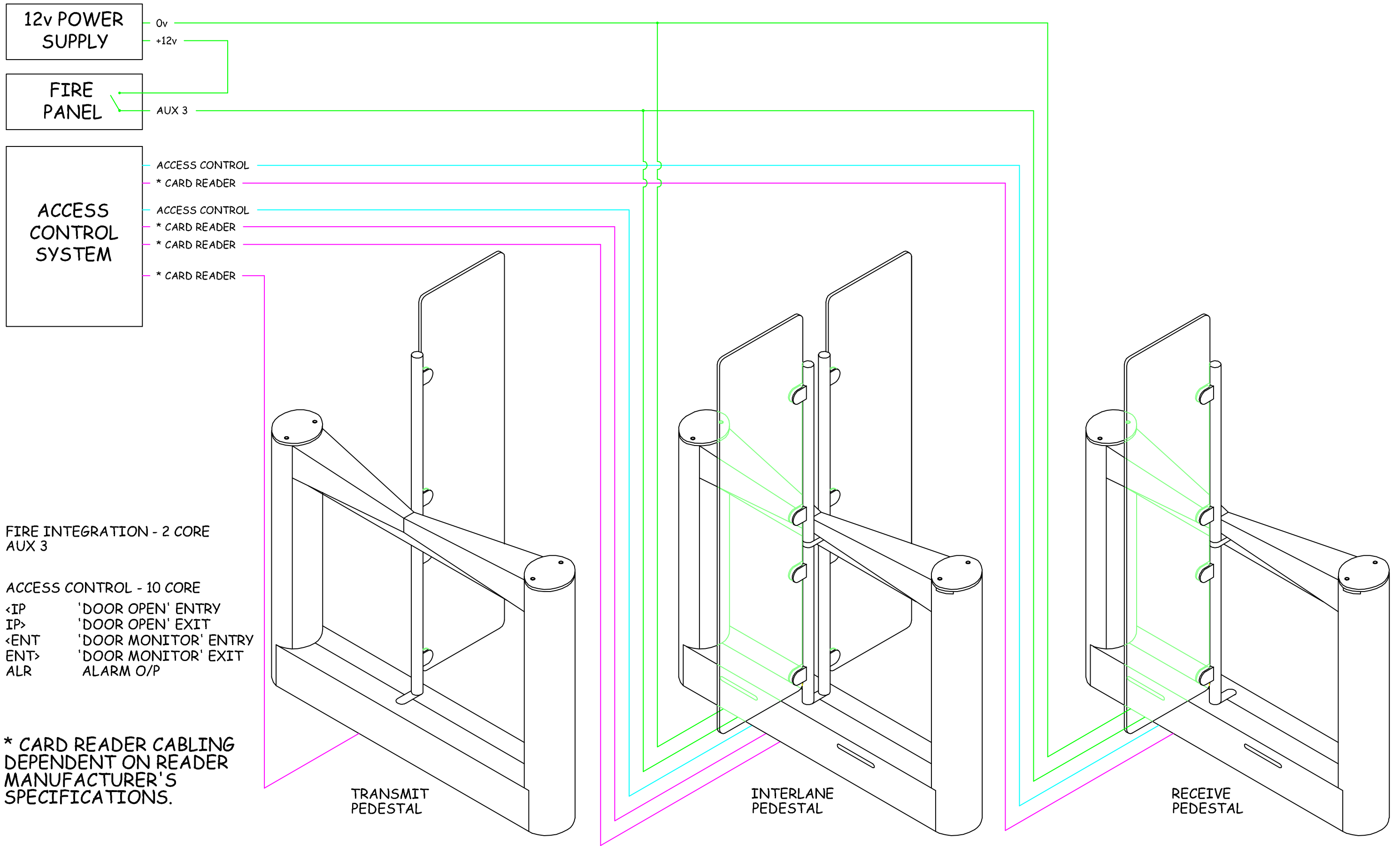
PRODUCT: GLASSGATE 400/E - FULL HEIGHT		
TITLE: BASE DRILLING DETAILS		
DRAWN: RST	DRAWING No: S665_625_A0	
DATE: 11.6.09	This document is the copyright of Integrated Design Ltd	



THIS DRAWING SHOWS THE GLASSGATE CABLING REQUIREMENTS. IT IS TO BE READ IN CONJUNCTION WITH DRAWING 665_628_A0, WHICH SHOWS THE CABLING REQUIREMENTS FOR THE ACCESS CONTROL INTEGRATION. FOR FURTHER INFORMATION, REFER TO THE INSTALLATION MANUAL.

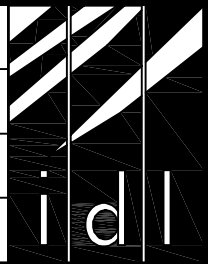
THIS IS AN UNCONTROLLED DRAWING - PLEASE ENSURE THAT YOU HAVE THE LATEST VERSION BEFORE USE.

PRODUCT: GLASSGATE 400/E - FULL HEIGHT		
TITLE: CABLING REQUIREMENTS		
DRAWN: RST	DRAWING No: S665_627_A0	
DATE: 5.6.09	This document is the copyright of Integrated Design Ltd	



THIS DRAWING SHOWS THE ACCESS CONTROL INTEGRATION REQUIREMENTS. IT IS TO BE READ IN CONJUNCTION WITH DRAWING 665_627_A0 WHICH SHOWS THE GLASSGATE CABLING REQUIREMENTS. FOR FURTHER INFORMATION, REFER TO THE INSTALLATION MANUAL.

THIS IS AN UNCONTROLLED DRAWING - PLEASE ENSURE THAT YOU HAVE THE LATEST VERSION BEFORE USE.

PRODUCT: GLASSGATE 400/E - FULL HEIGHT		
TITLE: CABLING REQUIREMENTS		
DRAWN: RST	DRAWING No: S665_628_A0	
DATE: 5.6.09	This document is the copyright of Integrated Design Ltd	