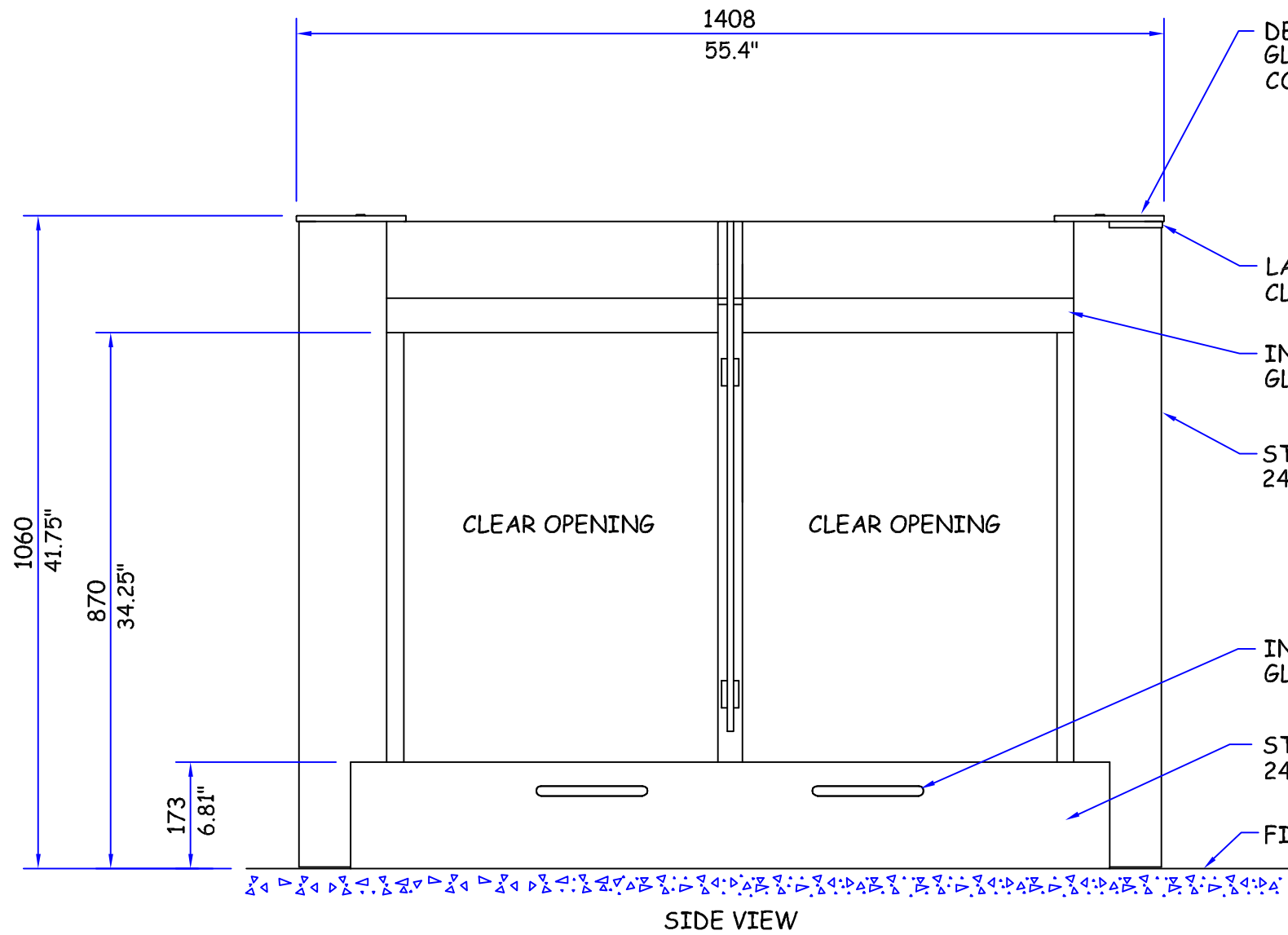


CLEAR TOUGHENED GLASS PANEL
- CONFORMS TO EN12150 & EN12600

TOP MOUNTING BUTTON -
BRUSHED STAINLESS STEEL



SIDE VIEW

DECORATIVE TOP - LOW IRON TOUGHENED
GLASS, WHITE CERAMIC PAINTED UNDERSIDE -
CONFORMS TO EN12150 & EN12600

LANE STATUS INDICATOR -
CLEAR FROSTED ACRYLIC

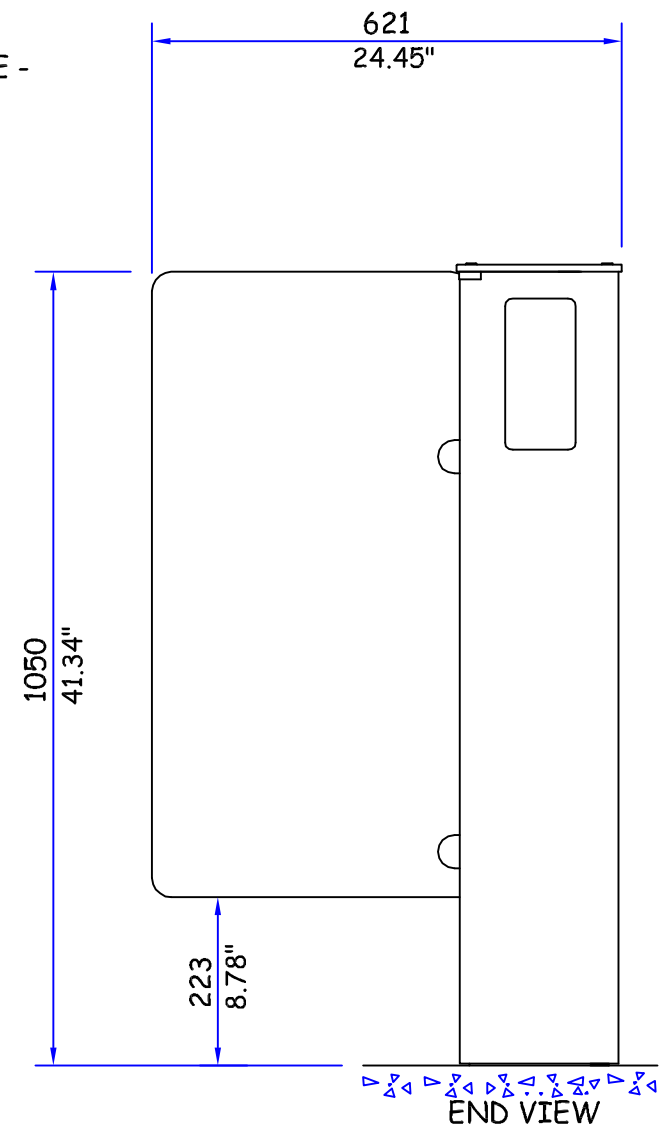
INFRA-RED WINDOW -
GLOSS BLACK ACRYLIC

STAINLESS STEEL END -
240 GRIT - HORIZONTAL GRAIN

INFRA-RED WINDOW -
GLOSS BLACK ACRYLIC

STAINLESS STEEL LOWER PANEL
240 GRIT - HORIZONTAL GRAIN

FINISHED FLOOR LEVEL



THIS IS AN UNCONTROLLED DRAWING - PLEASE ENSURE THAT YOU HAVE THE LATEST VERSION BEFORE USE.

PRODUCT: GLASSGATE 400/S HALF HEIGHT

TITLE: GENERAL DIMENSIONS

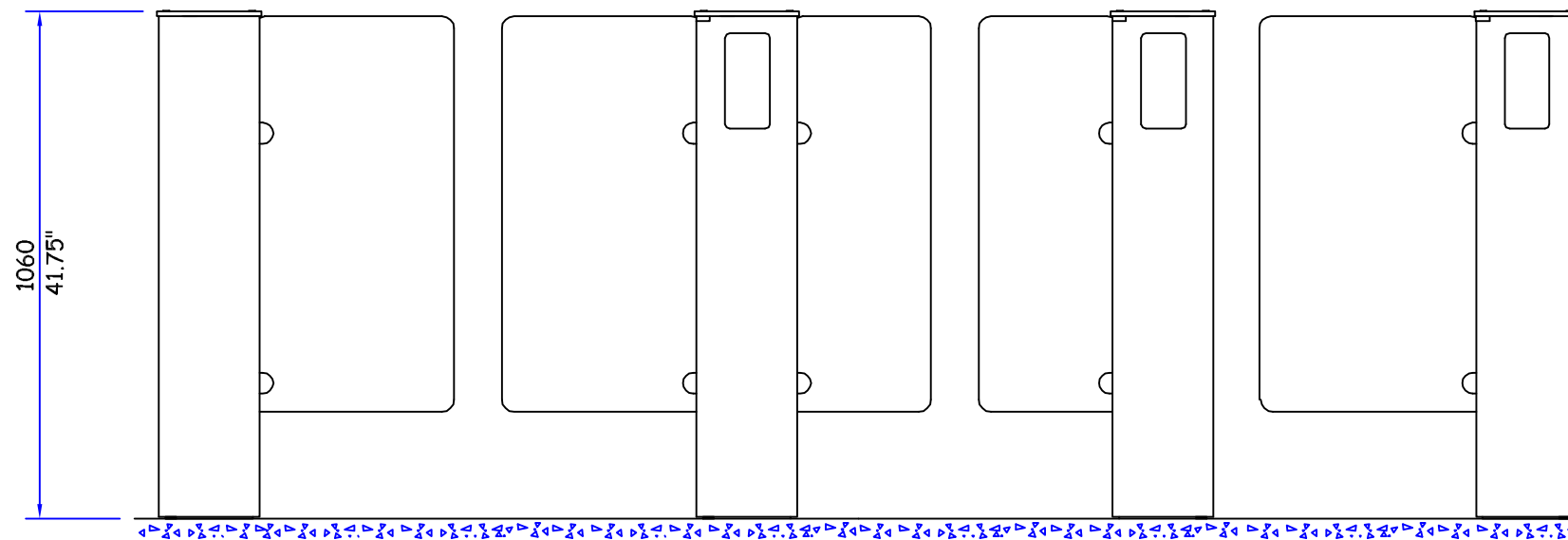
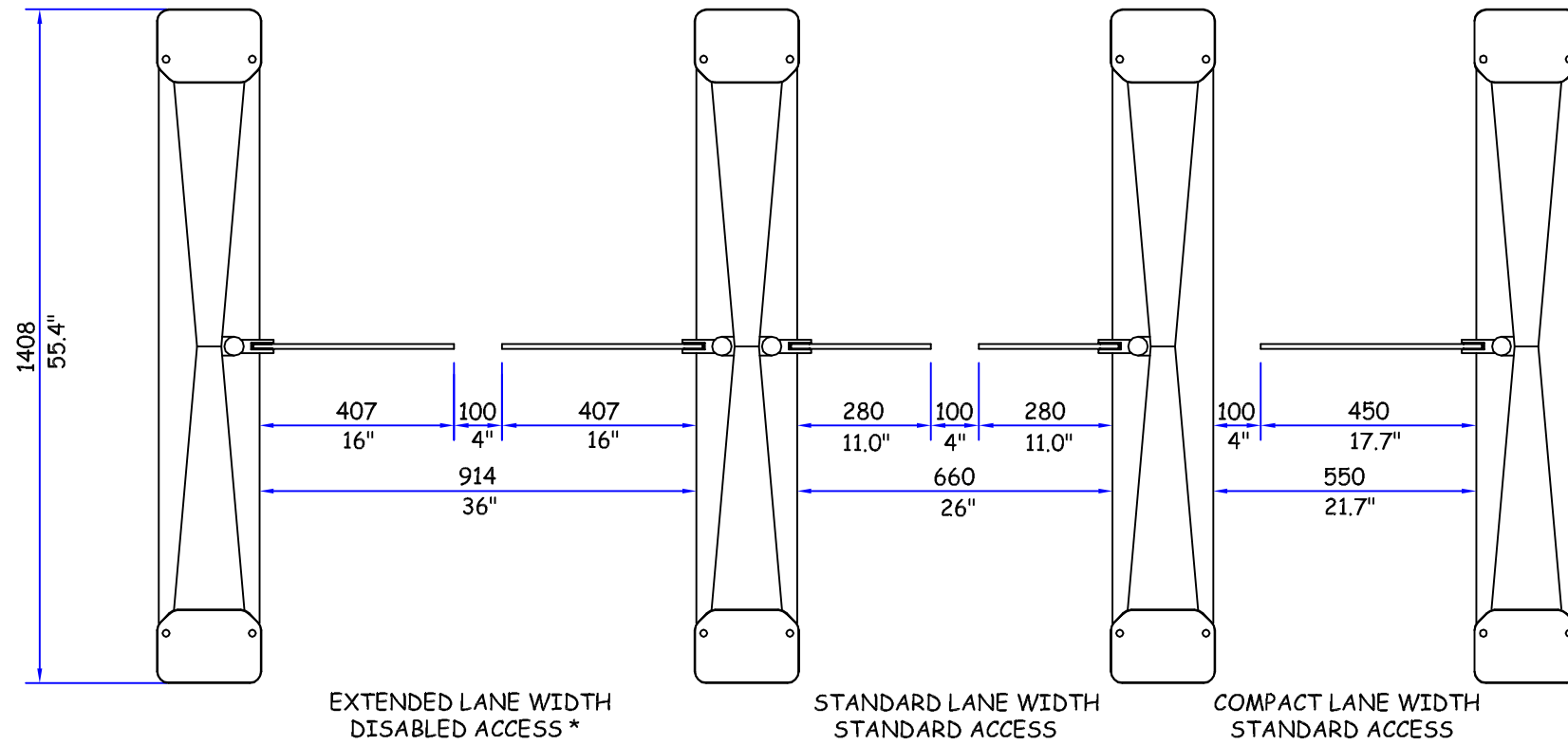
DRAWN: RST

DRAWING No: S665_700_A0

DATE: 17.10.08

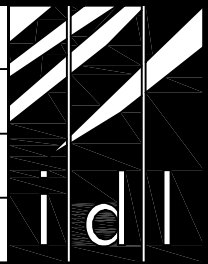
This document is the copyright of
Integrated Design Ltd

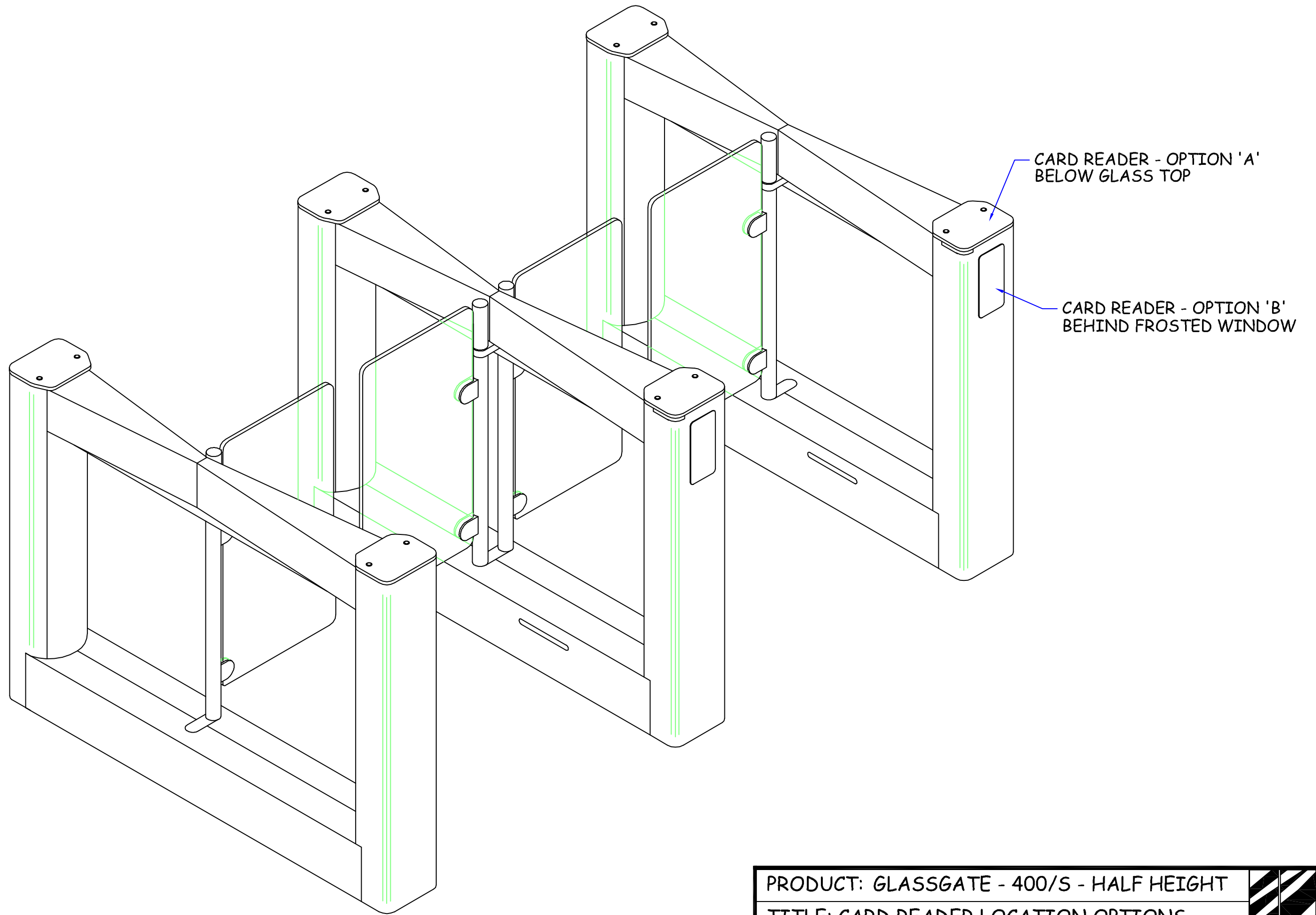




* SUBJECT TO LOCAL LEGISLATION

THIS IS AN UNCONTROLLED DRAWING - PLEASE ENSURE THAT YOU HAVE THE LATEST VERSION BEFORE USE.

PRODUCT: GLASSGATE 400/S - HALF HEIGHT		
TITLE: GENERAL LAYOUT		
DRAWN: RST	DRAWING No: S665_701_A0	
DATE: 17.10.08	This document is the copyright of Integrated Design Ltd	



CARD READER - OPTION 'A'
BELOW GLASS TOP

CARD READER - OPTION 'B'
BEHIND FROSTED WINDOW

THIS IS AN UNCONTROLLED DRAWING - PLEASE ENSURE THAT YOU HAVE THE LATEST VERSION BEFORE USE.

PRODUCT: GLASSGATE - 400/S - HALF HEIGHT

TITLE: CARD READER LOCATION OPTIONS

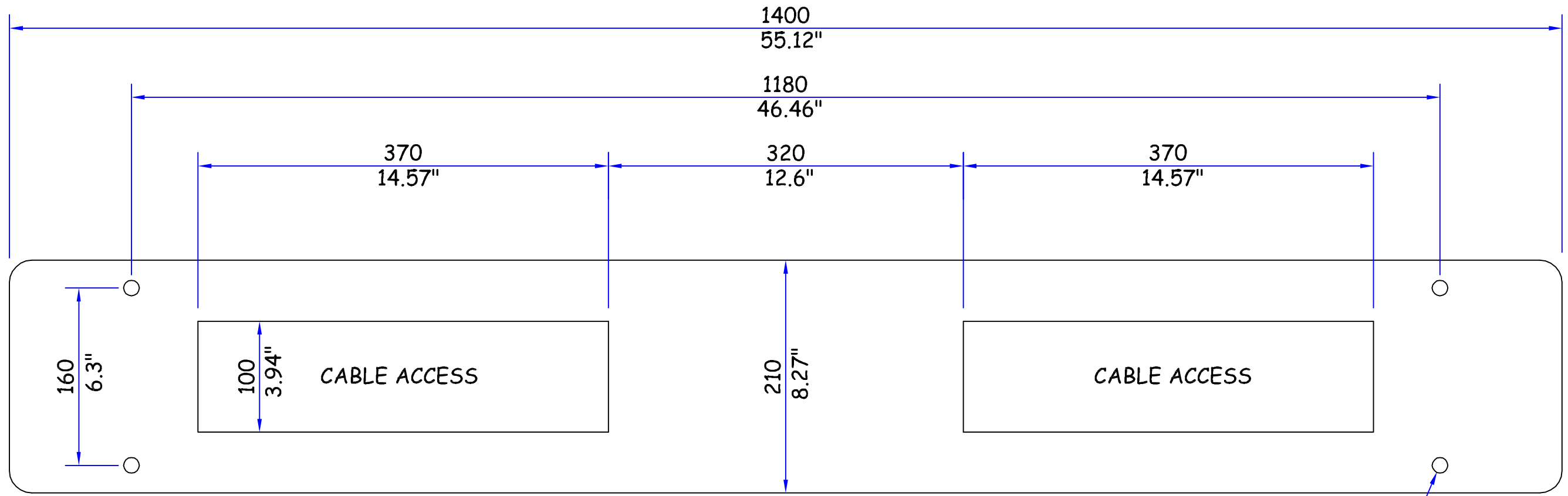
DRAWN: RST

DRAWING No: S665_703_A0

DATE: 5.6.09

This document is the copyright of
Integrated Design Ltd



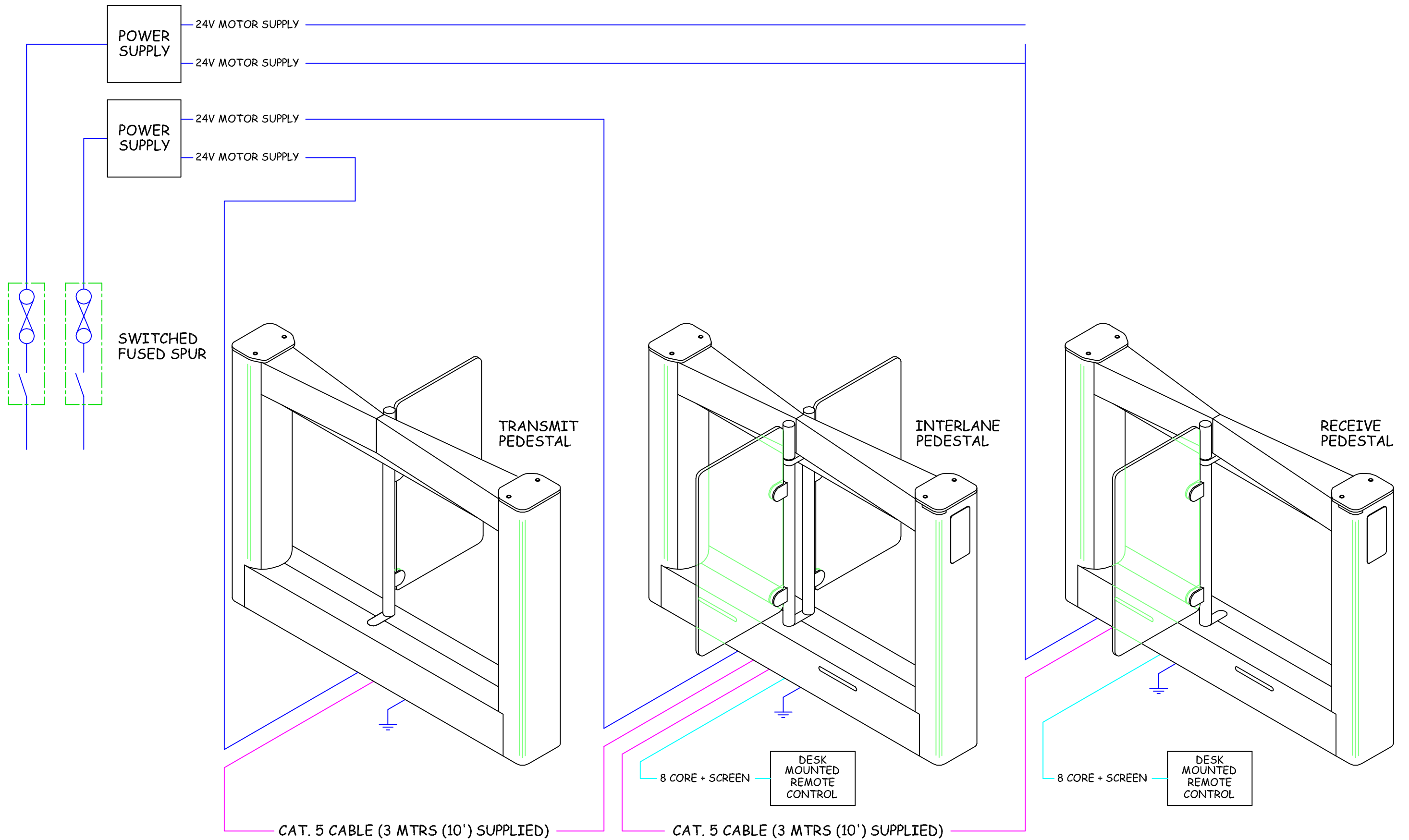


4 FIXING HOLES 14 DIA (0.55")
 FOR M10 (3/8") FIXINGS SUITABLE
 FOR FLOOR STRUCTURE

THIS IS AN UNCONTROLLED DRAWING - PLEASE ENSURE THAT YOU HAVE THE LATEST VERSION BEFORE USE.

PRODUCT: GLASSGATE 400/S - HALF HEIGHT	
TITLE: BASE DRILLING DETAILS	
DRAWN: RST	DRAWING No: S665_705_A0
DATE: 11.6.09	This document is the copyright of Integrated Design Ltd





THIS DRAWING SHOWS THE GLASSGATE CABLING REQUIREMENTS. IT IS TO BE READ IN CONJUNCTION WITH DRAWING 665_708_A0, WHICH SHOWS THE CABLING REQUIREMENTS FOR THE ACCESS CONTROL INTEGRATION. FOR FURTHER INFORMATION, REFER TO THE INSTALLATION MANUAL.

THIS IS AN UNCONTROLLED DRAWING - PLEASE ENSURE THAT YOU HAVE THE LATEST VERSION BEFORE USE.

PRODUCT: GLASSGATE 400/S - HALF HEIGHT

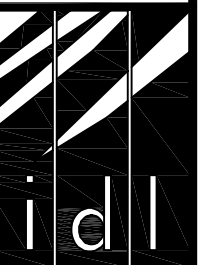
TITLE: CABLING REQUIREMENTS

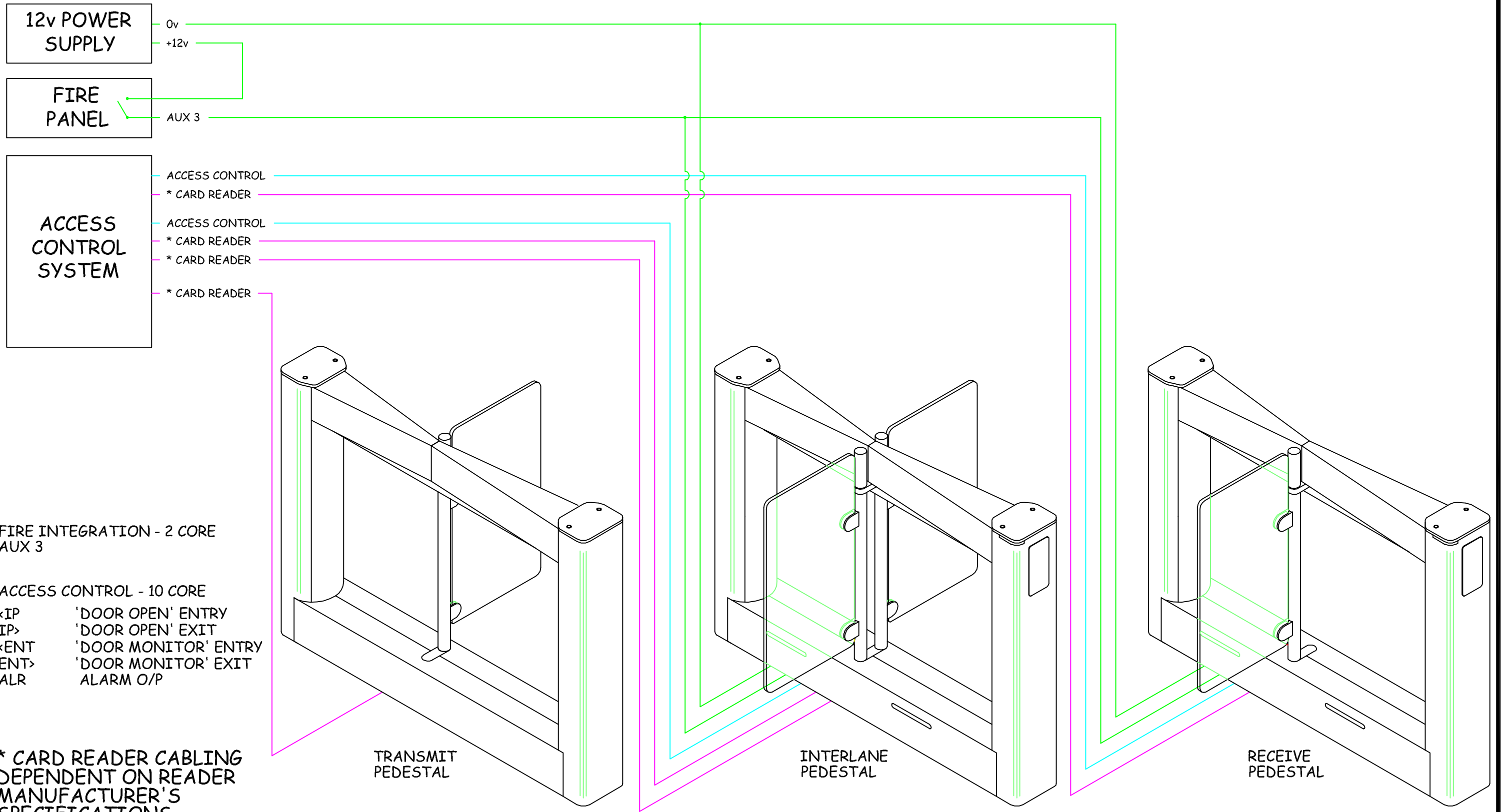
DRAWN: RST

DRAWING No: S665_707_A0

DATE: 5.6.09

This document is the copyright of
Integrated Design Ltd





FIRE INTEGRATION - 2 CORE
AUX 3

ACCESS CONTROL - 10 CORE

<IP 'DOOR OPEN' ENTRY
IP> 'DOOR OPEN' EXIT
<ENT 'DOOR MONITOR' ENTRY
ENT> 'DOOR MONITOR' EXIT
ALR ALARM O/P

* CARD READER CABLING
DEPENDENT ON READER
MANUFACTURER'S
SPECIFICATIONS.

THIS DRAWING SHOWS THE ACCESS CONTROL INTEGRATION REQUIREMENTS.
IT IS TO BE READ IN CONJUNCTION WITH DRAWING 665_707_A0
WHICH SHOWS THE GLASSGATE CABLING REQUIREMENTS.
FOR FURTHER INFORMATION, REFER TO THE INSTALLATION MANUAL.

THIS IS AN UNCONTROLLED DRAWING - PLEASE ENSURE THAT YOU HAVE THE LATEST VERSION BEFORE USE.

PRODUCT: GLASSGATE 400/S - HALF HEIGHT		
TITLE: CABLING REQUIREMENTS		
DRAWN: RST	DRAWING No: S665_708_A0	
DATE: 5.6.09	This document is the copyright of Integrated Design Ltd	