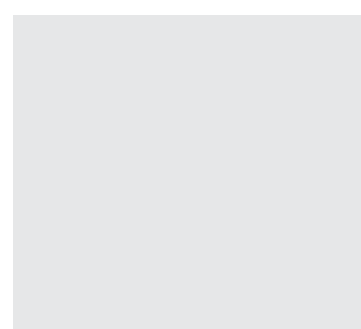
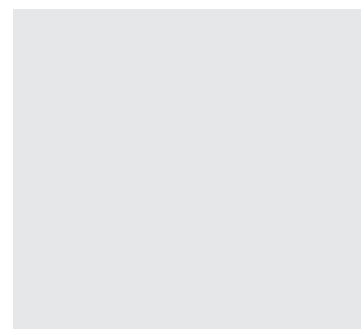
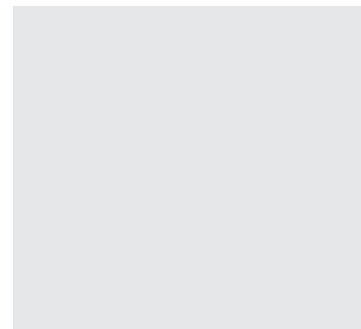


Fastlane Intelligate

Key Features

<ul style="list-style-type: none"> ■ Dimensions ■ Lane Width ■ Shape of Unit ■ Number of Infra-red Beams ■ Barrier Type ■ Barrier Position ■ Barrier Height ■ Primary Operating Mode ■ Wheelchair Access ■ Distance to * ■ Speed of Throughput ■ User Display ■ Customisable Features ■ Safety Features 	<p>Standard (L) 162 mm / 6.4"Ø (W) 162 mm / 6.4"Ø (H) 970 mm / 38.2"</p> <p>Single Glass 550 mm - 1000 mm 21.7 - 39.3"</p> <p>Round 3</p> <p>Glass panel(s) that open away from the user Middle of Pedestal</p> <p>Standard – ½ Height Options – None</p> <p>Barriers Closed (Normally Closed) Single larger glass panel used for 1m gaps No cost implication</p> <p>50 mm / 2" N/A</p> <p>1 person per second (subject to access system)</p> <p>Tri-Colour End of Lane LEDs</p> <p>Glass can have company logo on it</p> <p>Enclosure Materials</p> <p>3 Safety Beams, Fire Alarm Input, Fail Safe Electronic Brake</p>	<p>Wheelchair (L) 162 mm / 6.4"Ø (W) 162 mm / 6.4"Ø (H) 970 mm / 38.2"</p> <p>Double Glass 550 mm - 2000 mm 21.7 - 39.3"</p>
---	---	--



The Fastlane Intelligate is designed to ensure only one person gains access for each authorised card presented. The system uses active infra-red beams to create an invisible electronic field between two pedestals. These beams are controlled by a microprocessor utilising neural network technology designed to monitor the movement of people with pinpoint accuracy, detecting tailgaters at just 2 inches apart.

The Intelligate can either be controlled via an access control card reader system, pushbutton, remotely by a guard or from the reception, depending on preferences.

Versatile

The Fastlane Intelligate has 4 configurations, In can be supplied as a:

1. Standard passgate configuration (no tailgate detection)
 2. Passgate with tailgate detection
 3. Long double passgate with tailgate detection
 4. Short double passgate with tailgate detection, for smaller more confined areas.
- All these configurations can be set up wide enough to allow wheelchair access.

Intelligent

By using intelligent IR beams to monitor the passage of people through the passgate, the Intelligate, configured with tailgate detection, makes for a more secure and safer solution than a standard passgate.

Safe

In the event of an emergency the unit has a fire alarm input so the gate automatically opens. In the event of loss of power the units will free-wheel to allow safe emergency egress.

www.fastlane-turnstiles.com

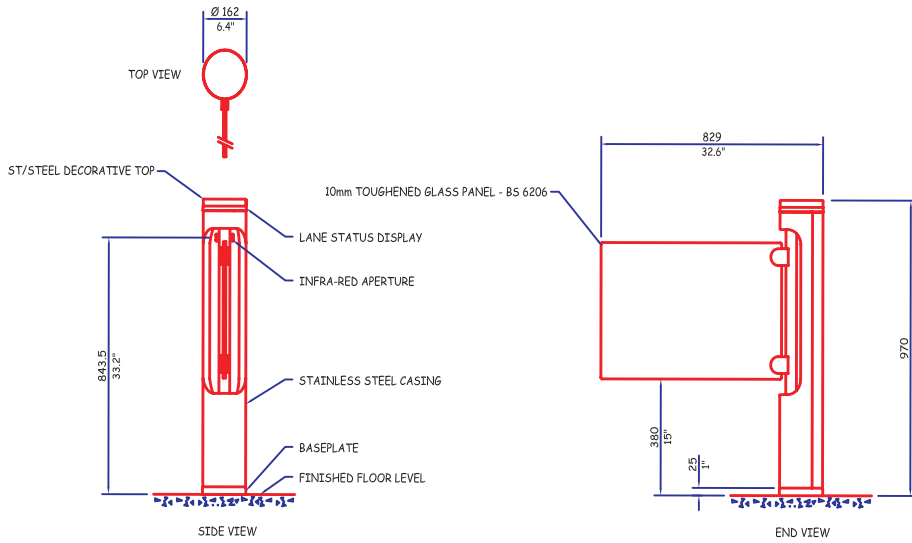


Setting New Standards In Entrance Control



Technical Specifications

Unit Information - Single Pedestal Dimensions



Power Requirements:

24v DC Supply current 2A max per lane
Mains PSU supplied (115v or 230v).

Optics:

2 pulsed multi infra-red beams

Display:

Tri Colour LED display

Sounders:

Single Tone Sounder: Card Authorisation, Alarm Events e.g. Forced Gate, Unauthorised Access.

Inputs:

Require voltage-free switching contacts (current sense 1mA typical)

Entry Request (NORMALLY OPEN)

Exit Request (NORMALLY OPEN)

Visitor Access (NORMALLY OPEN)

Outputs:

Voltage free relay contacts rated 0.5A, 28vDC in two groups for the following functions:

Output to System:

Entry Request (NORMALLY OPEN)

Exit Request (NORMALLY OPEN)

Alarm (NORMALLY CLOSED)

Operating Modes:

- Card In/Card Out • Card Entry/Push Button Exit
- Push Button Entry/Card Out • Push Button Entry/Push Button Exit

Opening/closing time:

2-5 seconds

Standard Lane Width: 550 mm - 1000 mm (21.7 - 39.3")

Wide Glass Lane Width: 2000 mm (78.7")

Pedestal Weight: 20 kg (44lbs)

Standard Glass Weight (Small Panel): 4.5 kg (10lbs) per panel

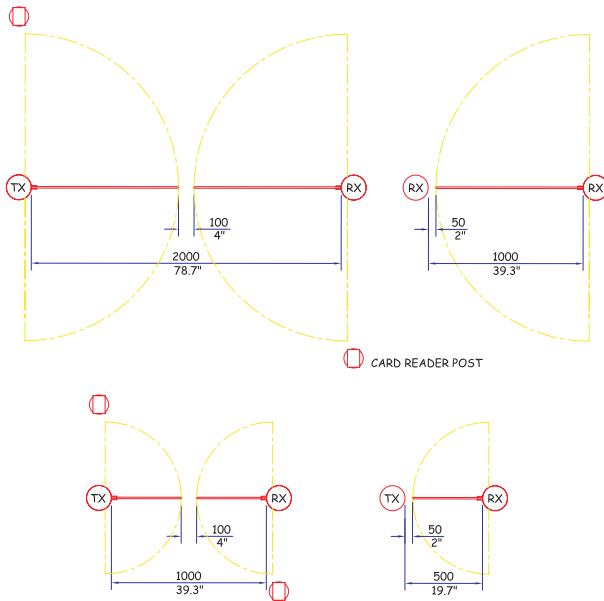
Wide Glass Weight: (Large Panel) 9.5 kg (21lbs) per panel

Pedestal Height: 970 mm (38.2")

Pedestal Width: 162 mm (6.4" \varnothing)

Pedestal Length: 162 mm (6.4" \varnothing)

Pedestal Configurations



Specification subject to change without prior notice.

Tailgate Detection

With the tailgate detecting configuration the Intelligate resolves this problem by monitoring how many people pass through the gate when it is open, in the event that the number of people is more than the authorised amount or in the wrong direction the system is designed to generate an alarm. As the system knows when a person has passed through and it takes into account their speed the gate will close quickly behind them; this reduces the open and vulnerable time. Additionally the Intelligate configured this way reduces the risk of someone being hit by the closing gate as it knows when the last person has passed through the open gateway and will close its barrier accordingly. The Fastlane Intelligate functions automatically and, in the event that someone enters without authorization, an alarm will sound and a relay will be triggered; this can be used to control stricter security actions such as triggering CCTV, locking doors or controlling elevators.

For further information please contact your local dealer or the manufacturer.

*Subject to speed of users

Accessories and Optional Extras

Fastlane Floor Protector

The Fastlane Floor Protector system is designed for temporary installations and enables Fastlanes to be installed quickly and cost effectively, without drilling or otherwise damaging the floor on which they stand.

Fastlane Infill System

The Fastlane Infill System is a series of decorative modular panels, which complement the Fastlane and Fastlane *plus* turnstiles by guiding users in the desired direction.

Fastlane Remote Control

This desk mounted controller is designed to allow the guard to override some of the features of the Fastlanes, facilitate visitor entry and to give a visual indication of alarms at the guard desk.

Card Reader Mounting

A number of alternative card reader mounting options are available.

Alternative material and colour finishes

IDL offers a full design service for custom enclosures, as well as alternative colours and materials.



Manufactured by:
Integrated Design Ltd
Littleton House
Littleton Road
Ashford
Middlesex
TW15 1UU, UK

t: +44 (0) 1784 245 941

f: +44 (0) 1784 240 647

e: info@idl.co.uk

w: www.idl.co.uk

w: www.fastlane-turnstiles.com